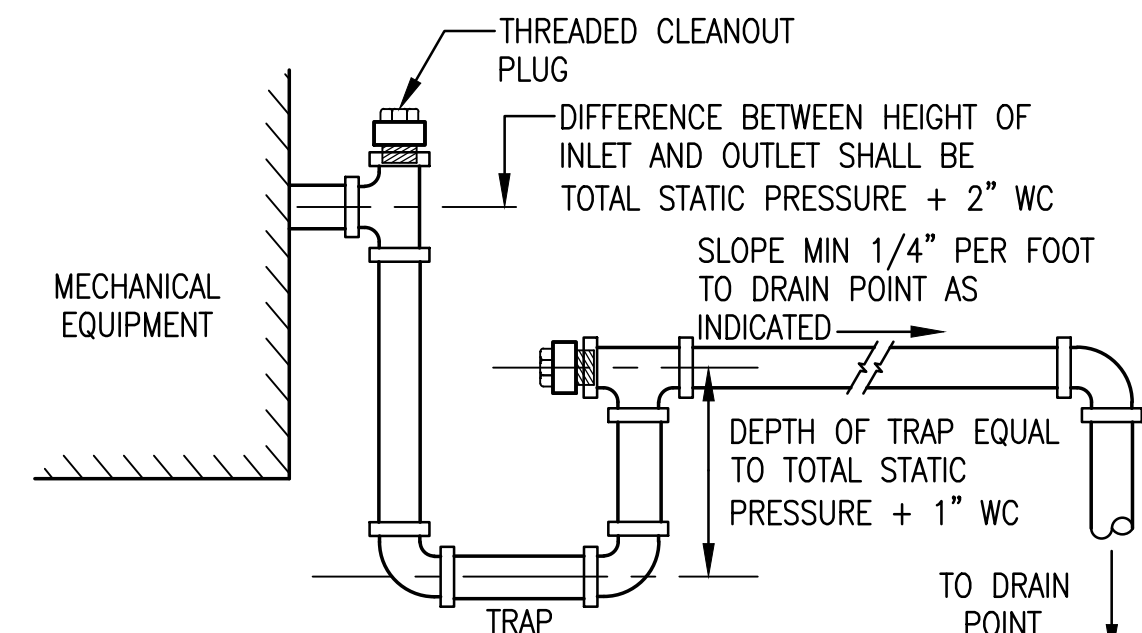
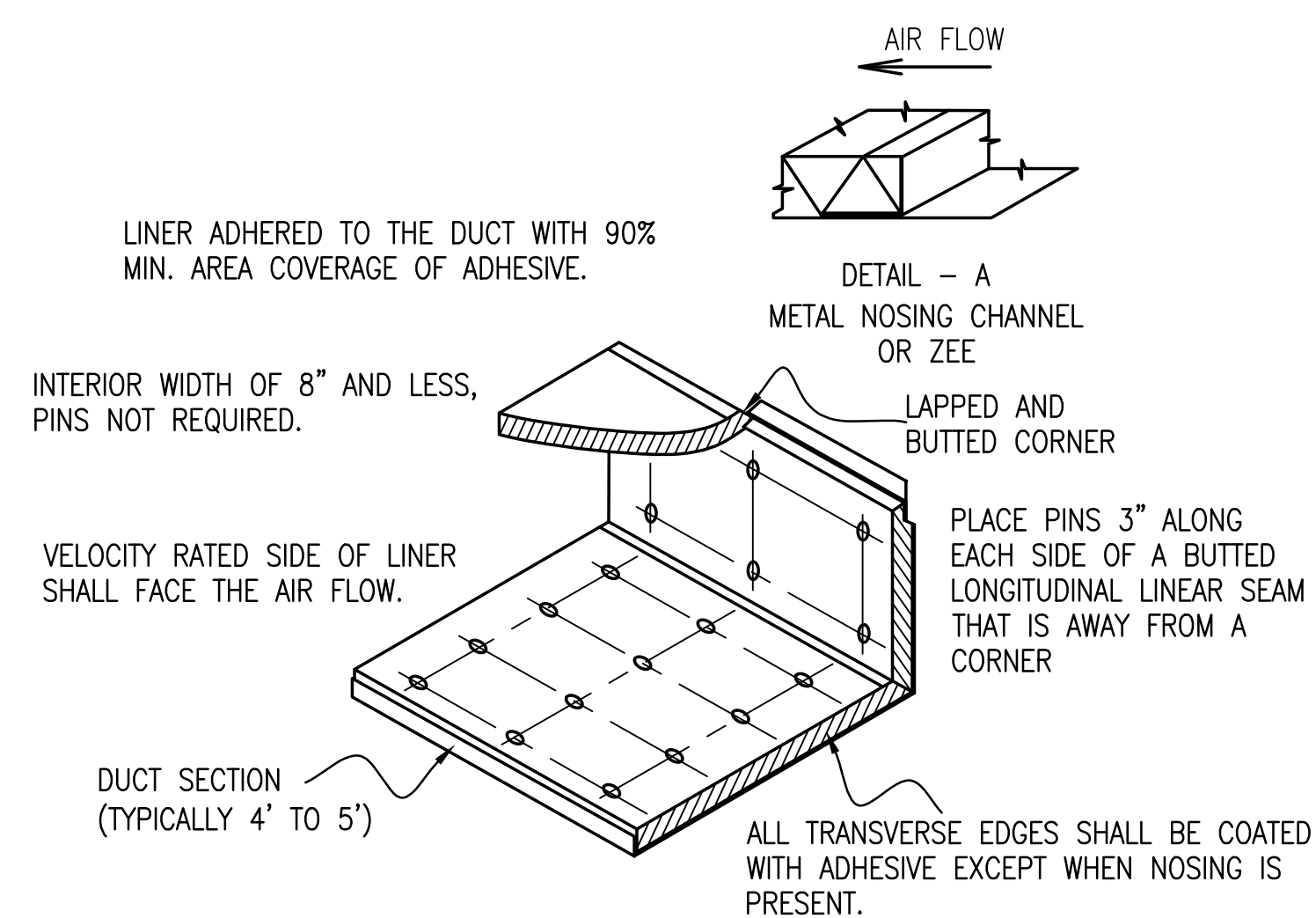


**1** RECTANGULAR ELBOW DETAIL  
NOT TO SCALE



**2** TYPICAL CONDENSATE TRAP DETAIL  
NOT TO SCALE



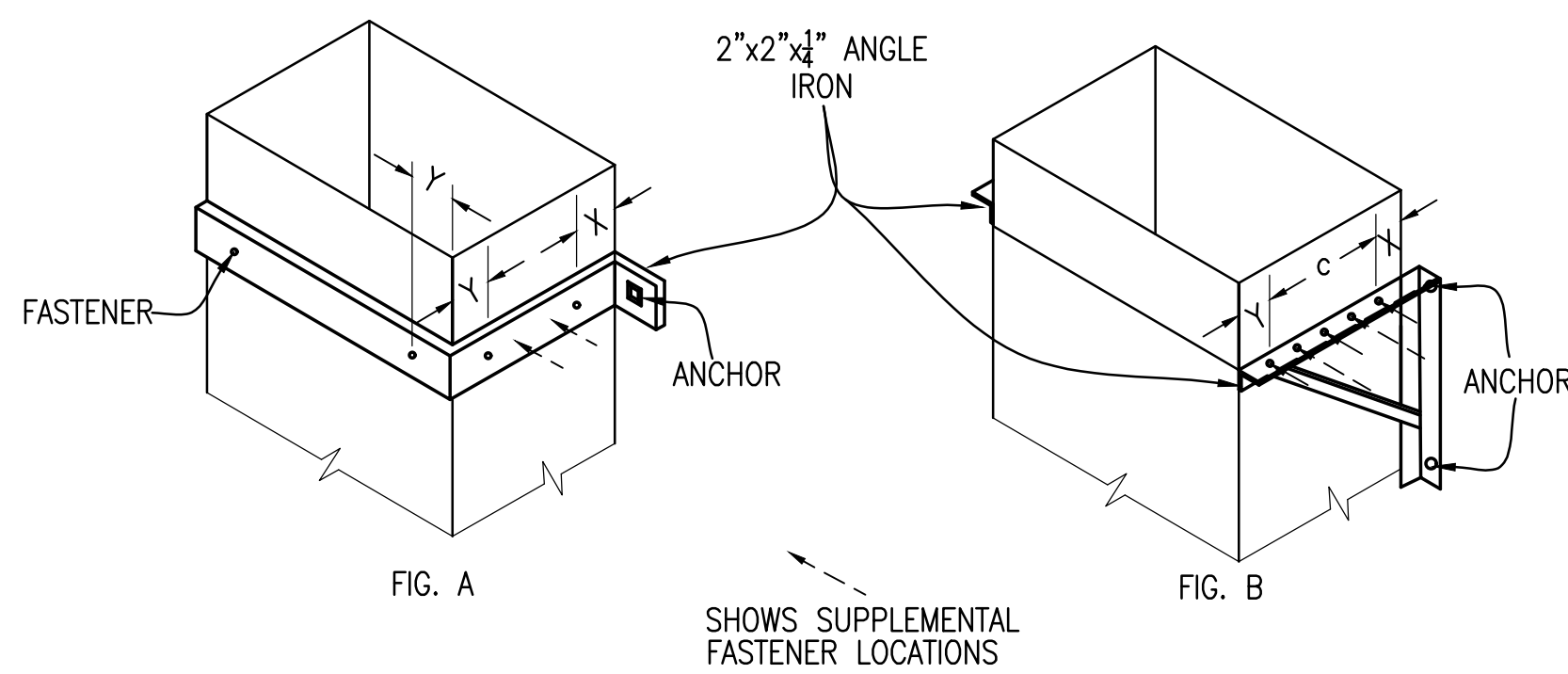
MAXIMUM SPACING FOR FASTENERS ACTUAL INTERVALS ARE APPROXIMATE.

W.G.	A	B	C	D	E
UP TO 2"	3"	12"	4"	6"	18"
2" AND UP	3"	6"	4"	6"	18"

"A" PIN RIM MAY BE OMITTED WHEN METAL NOSING IS USED. "E" THEN STARTS FROM THE NOSING.

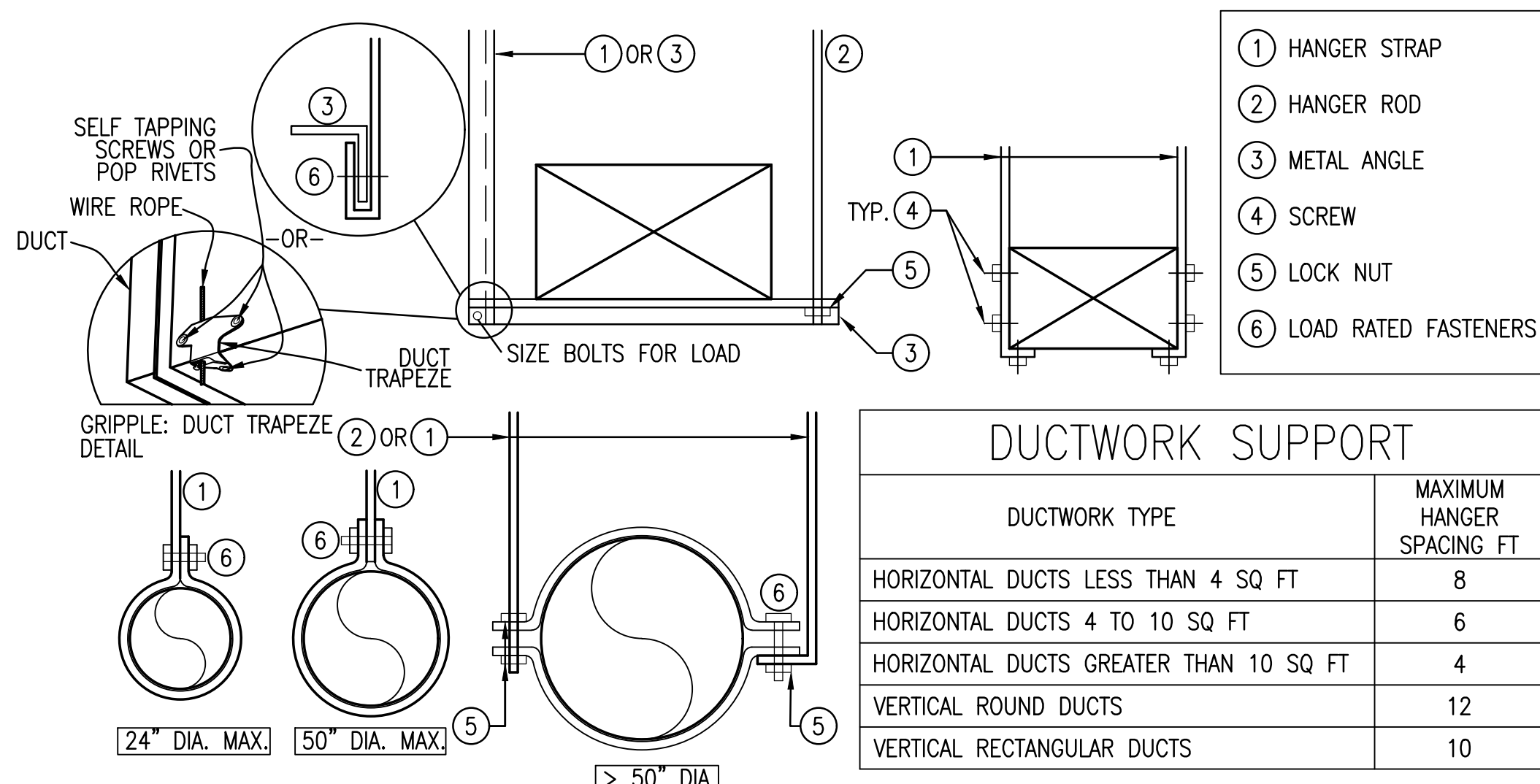
**NOTE:** METAL NOSING MUST BE USED WHEREVER LINER IS PRECEDED BY UNLINED METAL; OTHERWISE WHEN VELOCITY EXCEEDS 4000 FPM USE METAL NOSING ON EVERY LEADING EDGE. NOSING MAY BE FORMED ON DUCT OR BE CHANNEL OR ZEE ATTACHED BY SCREWS, RIVETS, OR WELDS.

**3** TYPICAL DUCT LINER DETAIL  
NOT TO SCALE



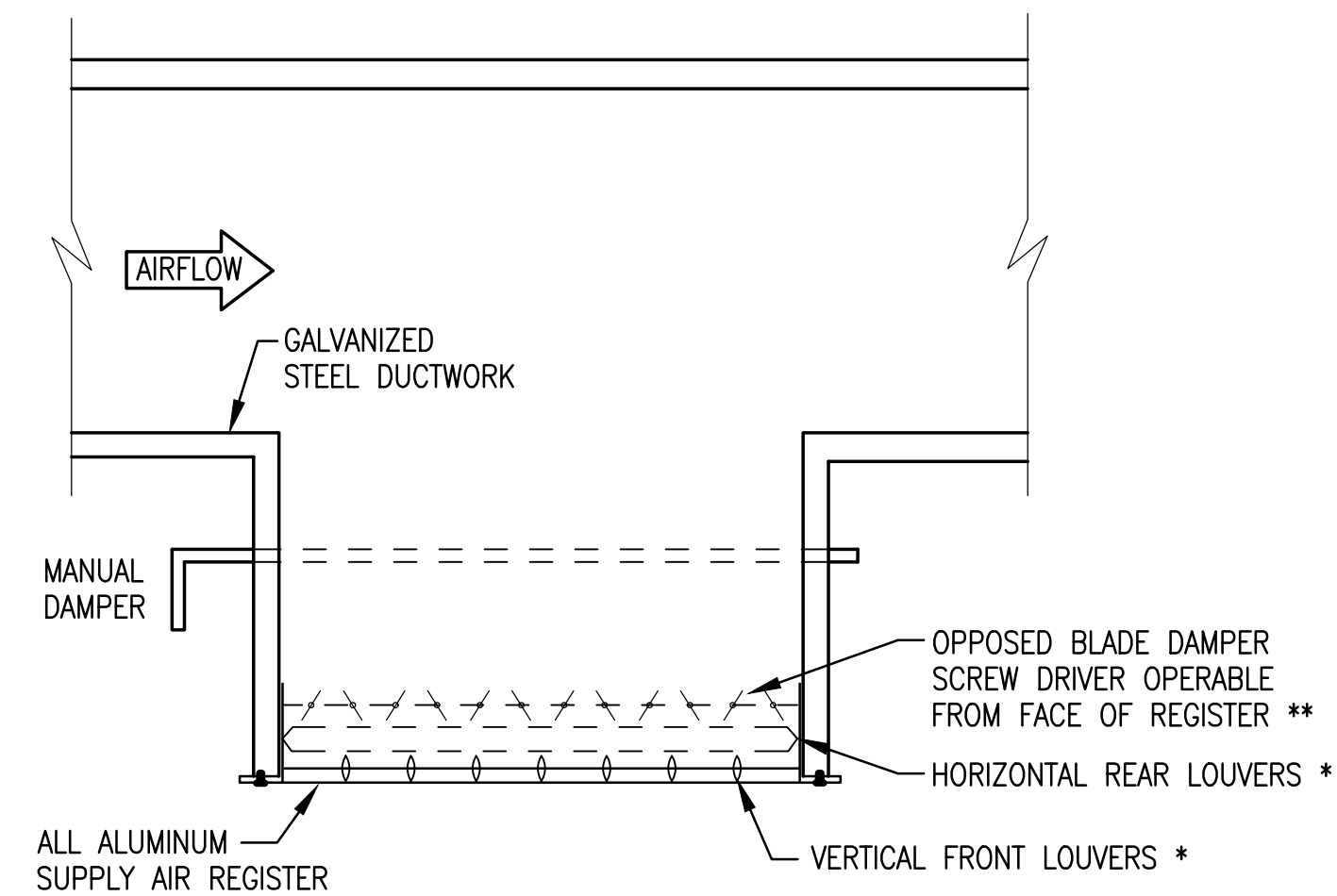
- NOTES:**
1. LOCATE DUCTS AGAINST WALL OR MAXIMUM 2" AWAY FROM WALL.
  2. ANCHOR ANGLE IRON TO PURLINS WITH 3/8" HARDWARE.

**5** TYPICAL DUCT SUPPORT FROM WALL  
NOT TO SCALE



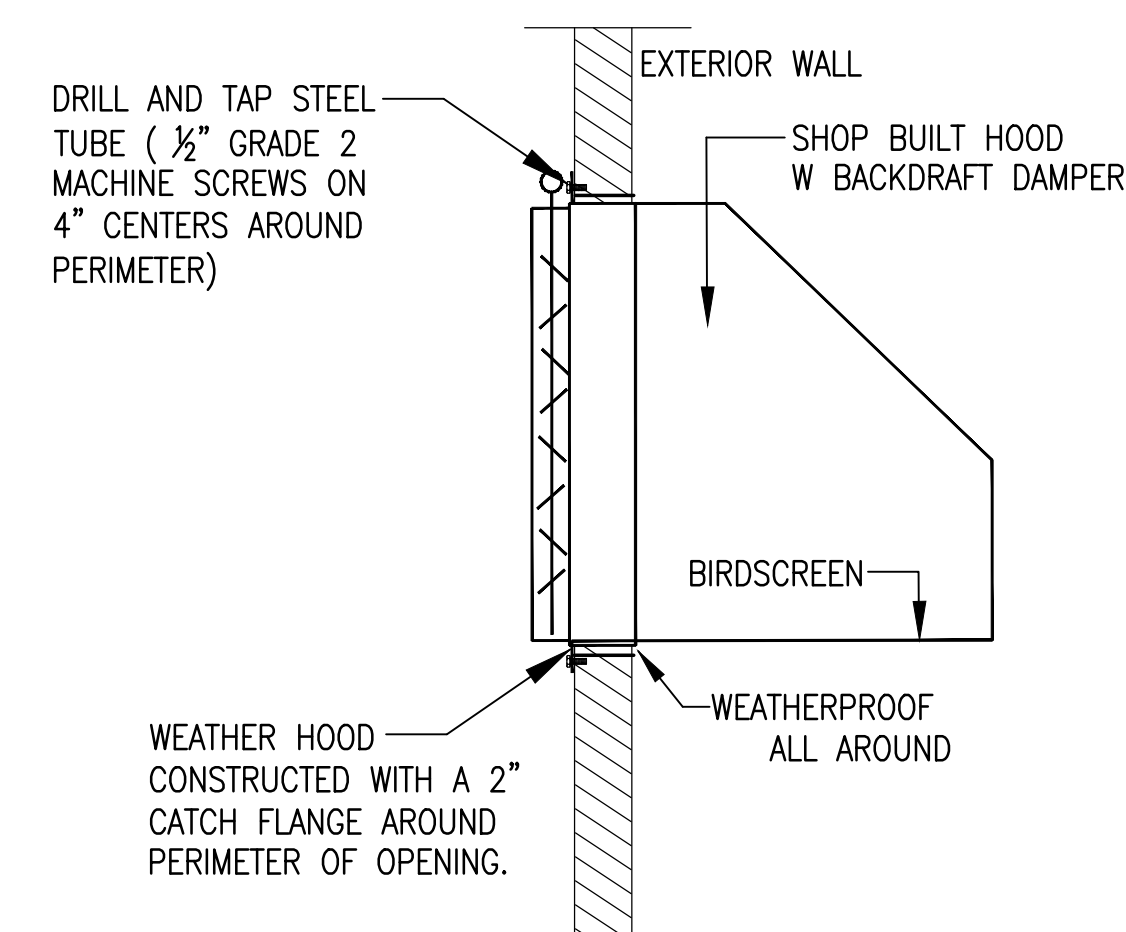
- NOTES:**
1. HANGERS TO BE ATTACHED TO STRUCTURE PER SMACNA STANDARDS.
  2. SIZE OF STRAPS, RODS, AND OR ANGLES TO BE PER SMACNA STANDARDS.
  3. GRIPPLE DUCT TRAPEZE MAY ALSO BE USED. SEE DETAIL.

**6** TYPICAL LOW PRESSURE DUCT HANGER DETAIL  
NOT TO SCALE

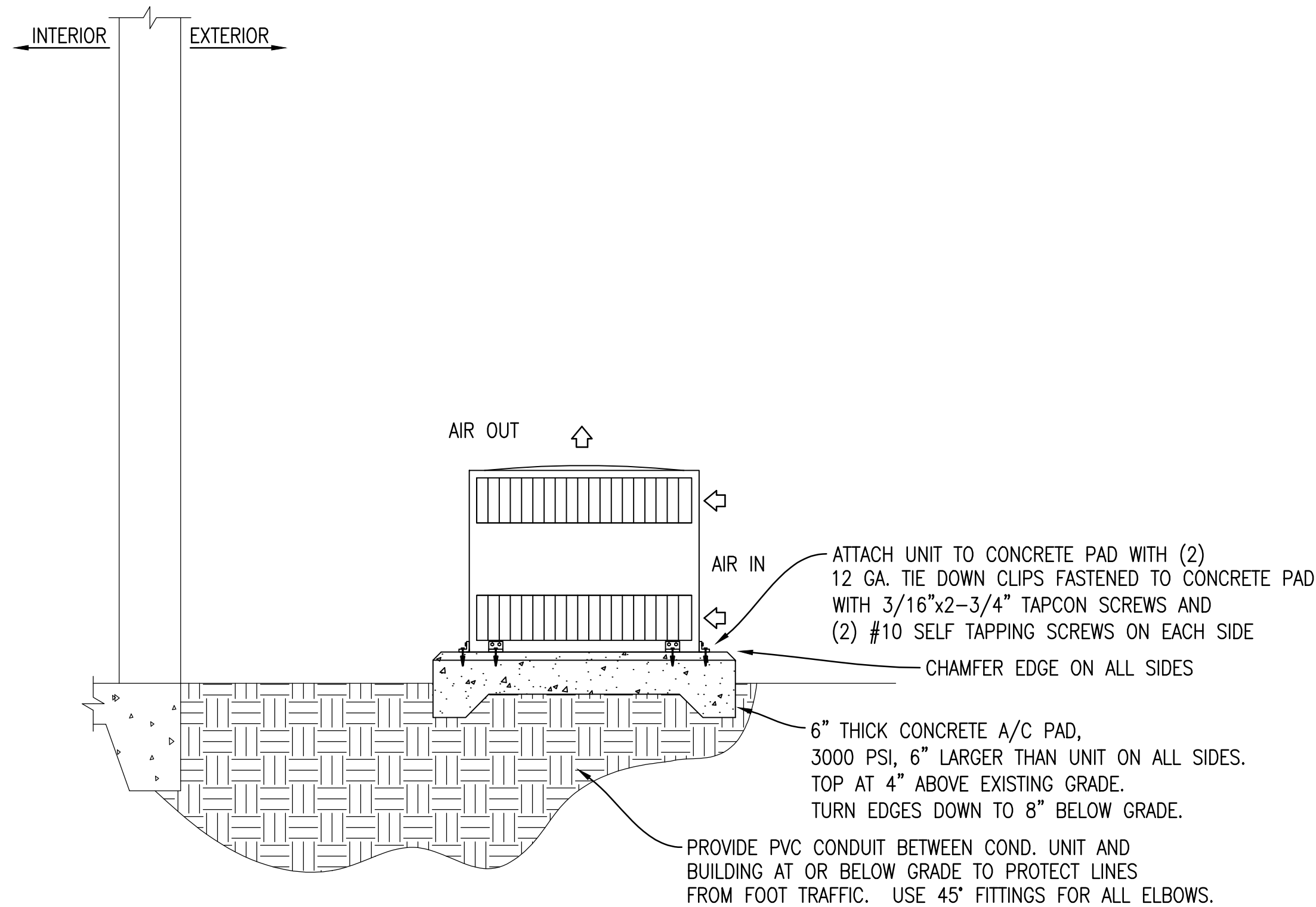


- NOTE:**
- \* ALL LOUVERS SHALL BE INDIVIDUALLY ADJUSTABLE FOR ANY DEGREE OF DEFLECTION.
  - \*\* DO NOT USE OPPOSED BLADE DAMPER TO BALANCE REGISTER.

**4** SUPPLY AIR REGISTER MOUNTING DETAIL  
NOT TO SCALE



**7** RELIEF HOOD DETAIL  
NOT TO SCALE



**8** TYPICAL CONDENSING MOUNTING DETAIL  
NOT TO SCALE

35% SUBMITTAL - NOT FOR CONSTRUCTION

REVISION	DATE	DESCRIPTION	BY	APPR'D
<b>BASE CIVIL ENGINEER EGLIN AIR FORCE BASE, FLORIDA</b>				
<b>SABER PROJECT MANAGER</b>		<b>TITLE</b>		
DATE	SIGNATURE	<b>REPAIR/UPGRADE SAW FACILITY - B8954, TS-74A</b>		
APPROVED	CENM			
DRAWN BY S. MCCRAW	PROJ. ENGR. S. JOHNSON			
SABER AS-BUILT DRAWING BASED ON 35% DESIGN				
APPROVED		DATE		
96 CEG/CEN		JULY 2024		
APPROVED		SCALE		
BASE CIVIL ENGINEER		AS SHOWN		
SPEC. NO.	PROJ. NO.	DRAWING NO.	FILE NO.	SHEET OF .
	FTFA 23-JG19			

**PETERSON ENGINEERING INC.**  
(PROF. ENG. #: 3600)  
75 SOUTH "F" STREET  
PENSACOLA, FLORIDA 32502  
(850) 434-0513  
PEI 24058

INDEX NO.  
**M-501**