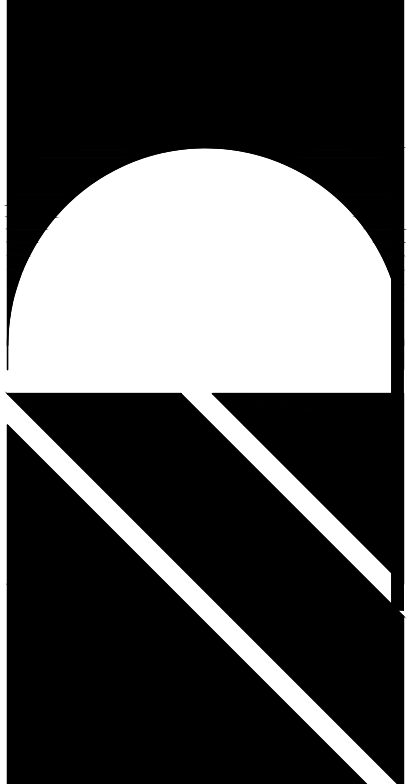


THIS DRAWING & SPECIFICATIONS ARE THE PROPERTY OF DONOFRO ARCHITECTS, P.A. ANY REPRODUCTION OR OTHER USE OF THIS DRAWING WITHOUT THE WRITTEN PERMISSION OF DONOFRO ARCHITECTS, P.A. IS STRICTLY PROHIBITED. SUBJECT TO LEGAL ACTION.

DONOFRO ARCHITECTS

DONOFRO ARCHITECTS
 P.O. BOX 861
 MARIANNA, FL 32447
 OFFICE: (850) 482-5261

2910 CALEDONIA ST.
 MARIANNA, FL 32446
 OFFICE: (850) 482-5261

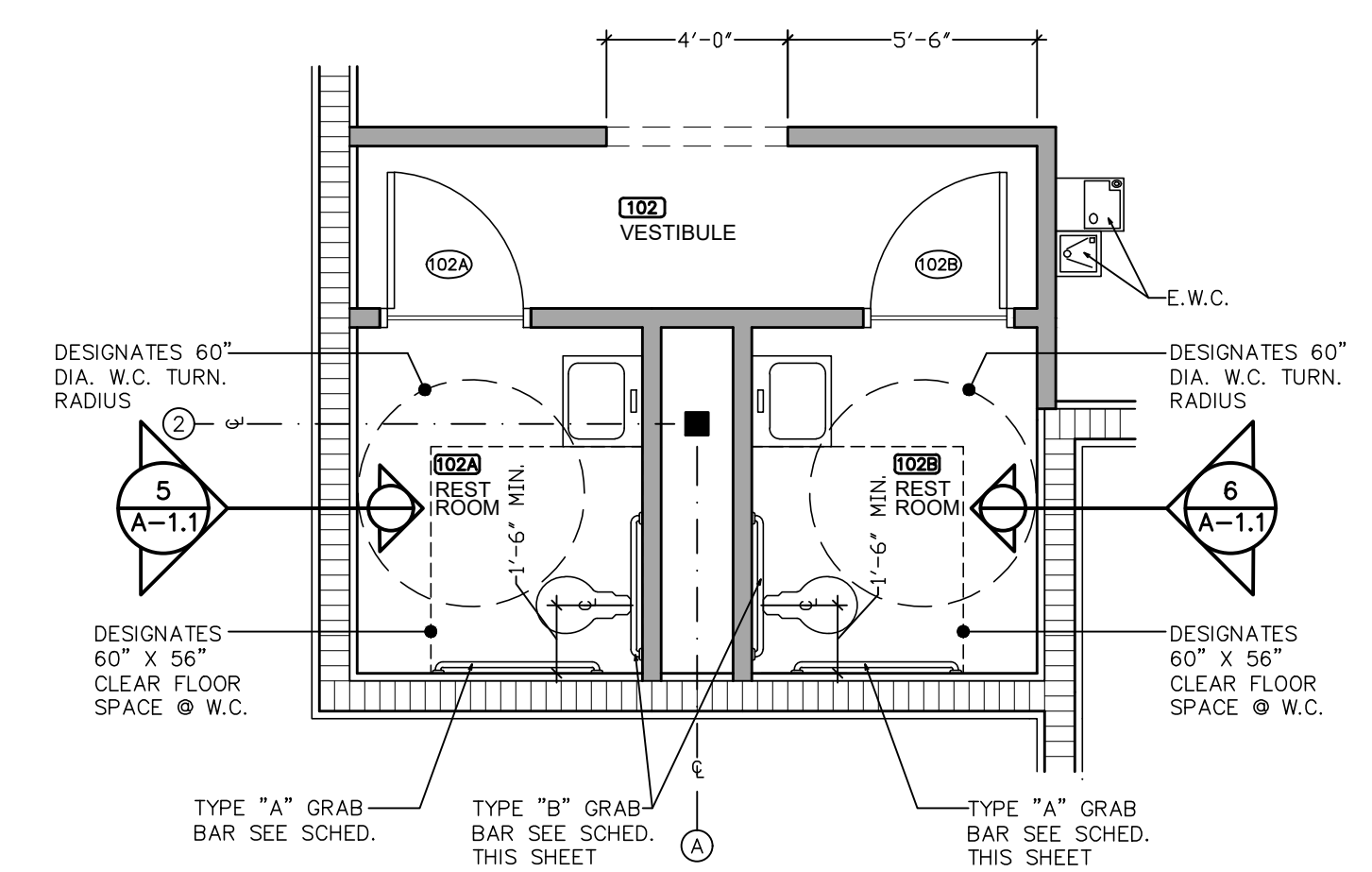


SHEET FLOOR PLAN * LEGEND * NOTES * ENLARGED PARTIAL FLOOR PLANS * GRAB BAR SCHED.

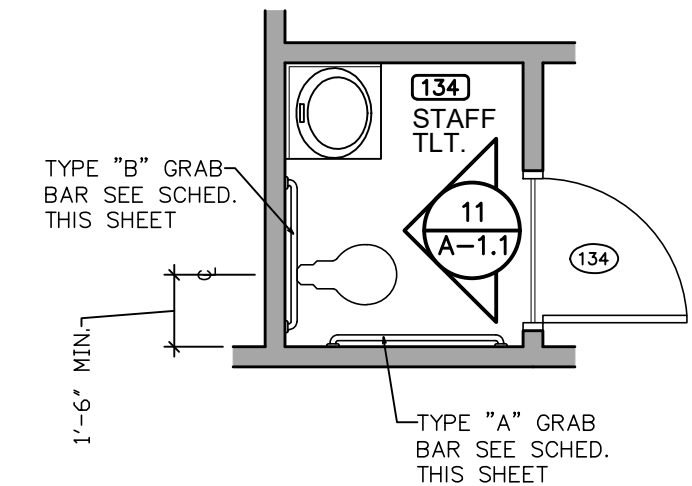
NEW MEDICAL OFFICE BUILDING
 FOR
DOCTORS MEMORIAL HOSPITAL
 2800 HOSPITAL DR. BONIFAY, FLORIDA

JOB NUMBER: M-2022-03
 DATE: JULY 19, 2024
 DRAWN BY: C.L.D.
 CHECKED BY: P.A.D., JR.

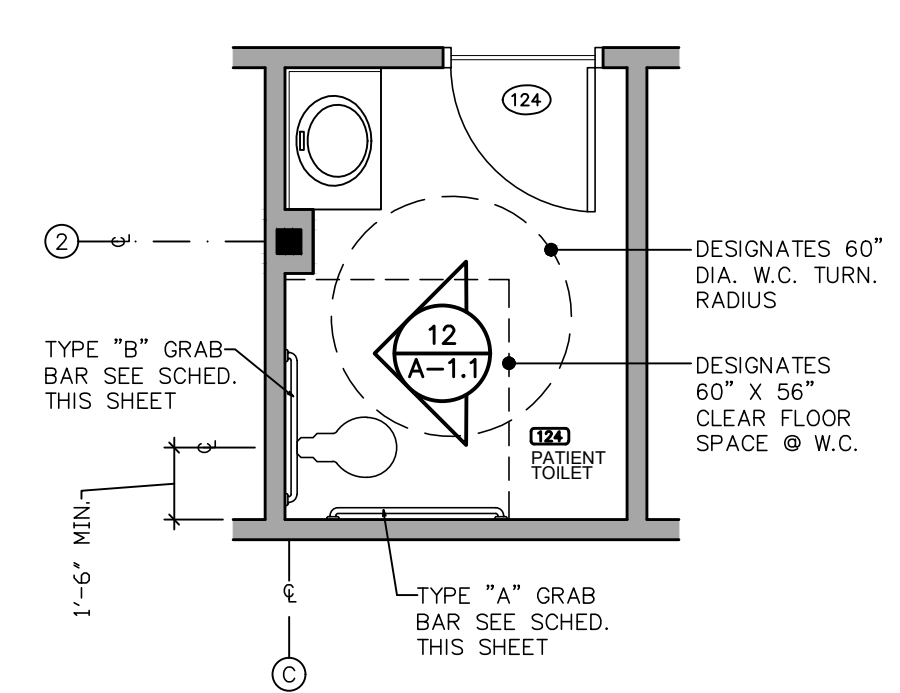
SHEET No.
A-1.0



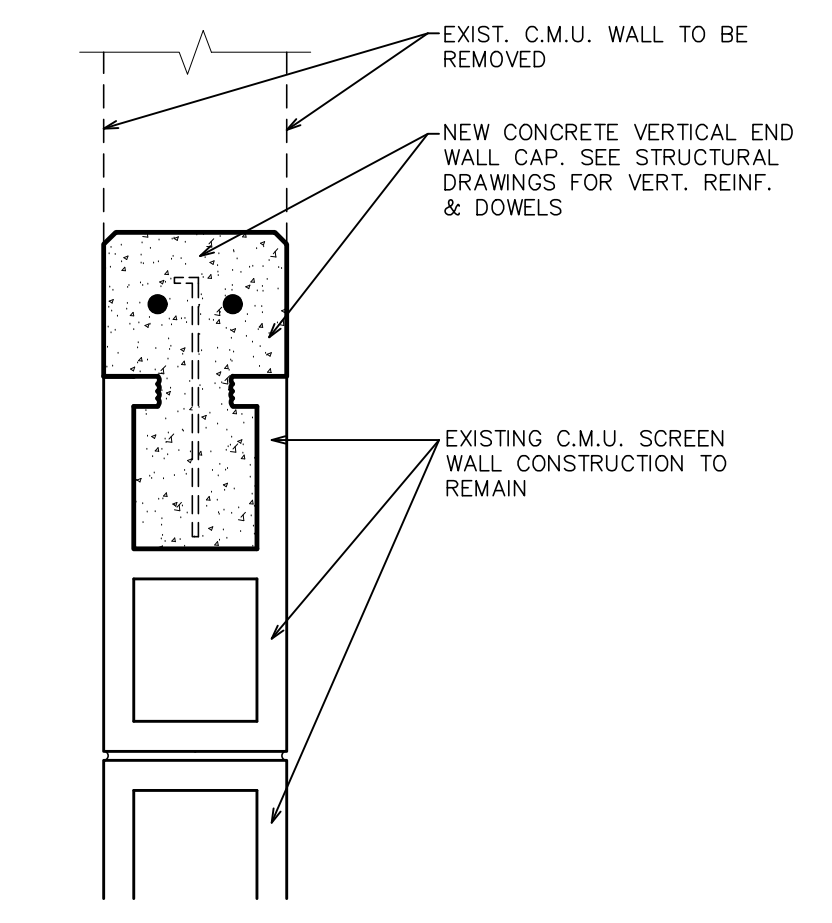
ENLARGED PARTIAL FLOOR PLAN
 1/4" = 1'-0"



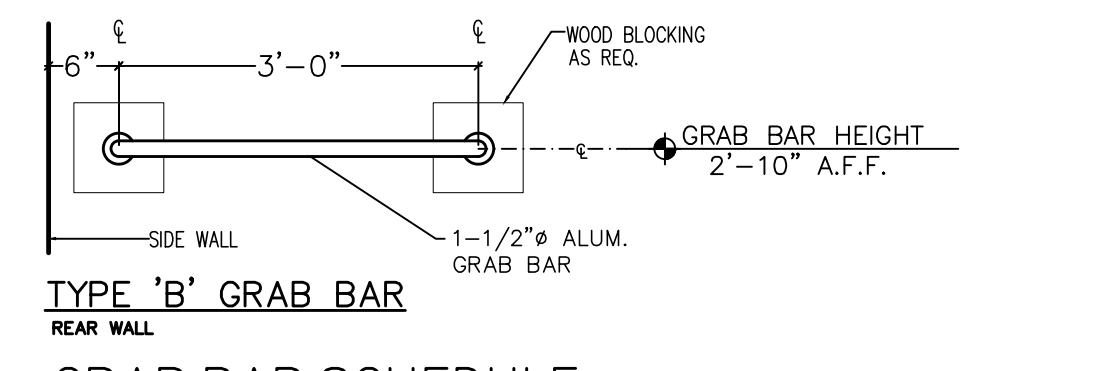
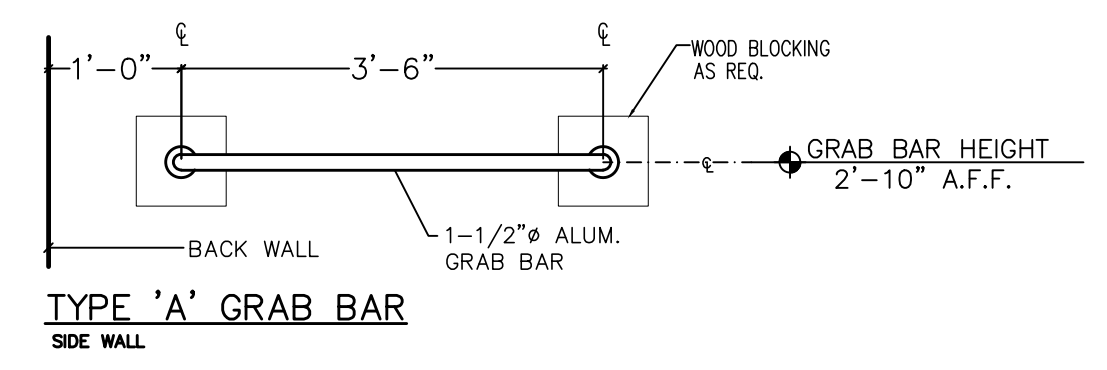
ENLARGED PARTIAL FLOOR PLAN
 1/4" = 1'-0"



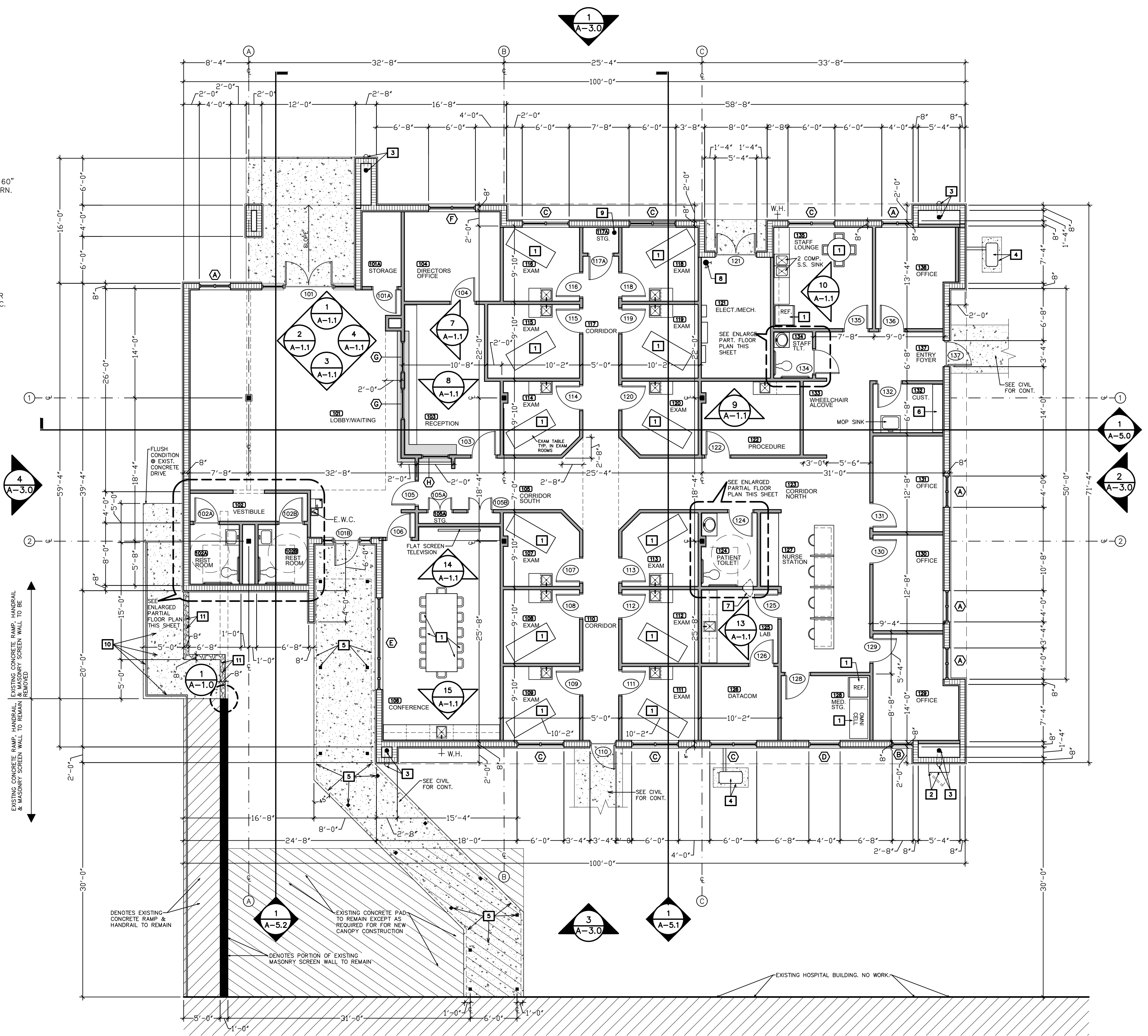
ENLARGED PARTIAL FLOOR PLAN
 1/4" = 1'-0"



DETAIL
 1-1/2" = 1'-0"



GRAB BAR SCHEDULE
 NO SCALE
 NOTE: PROVIDE WOOD BLOCKING AS REQ.



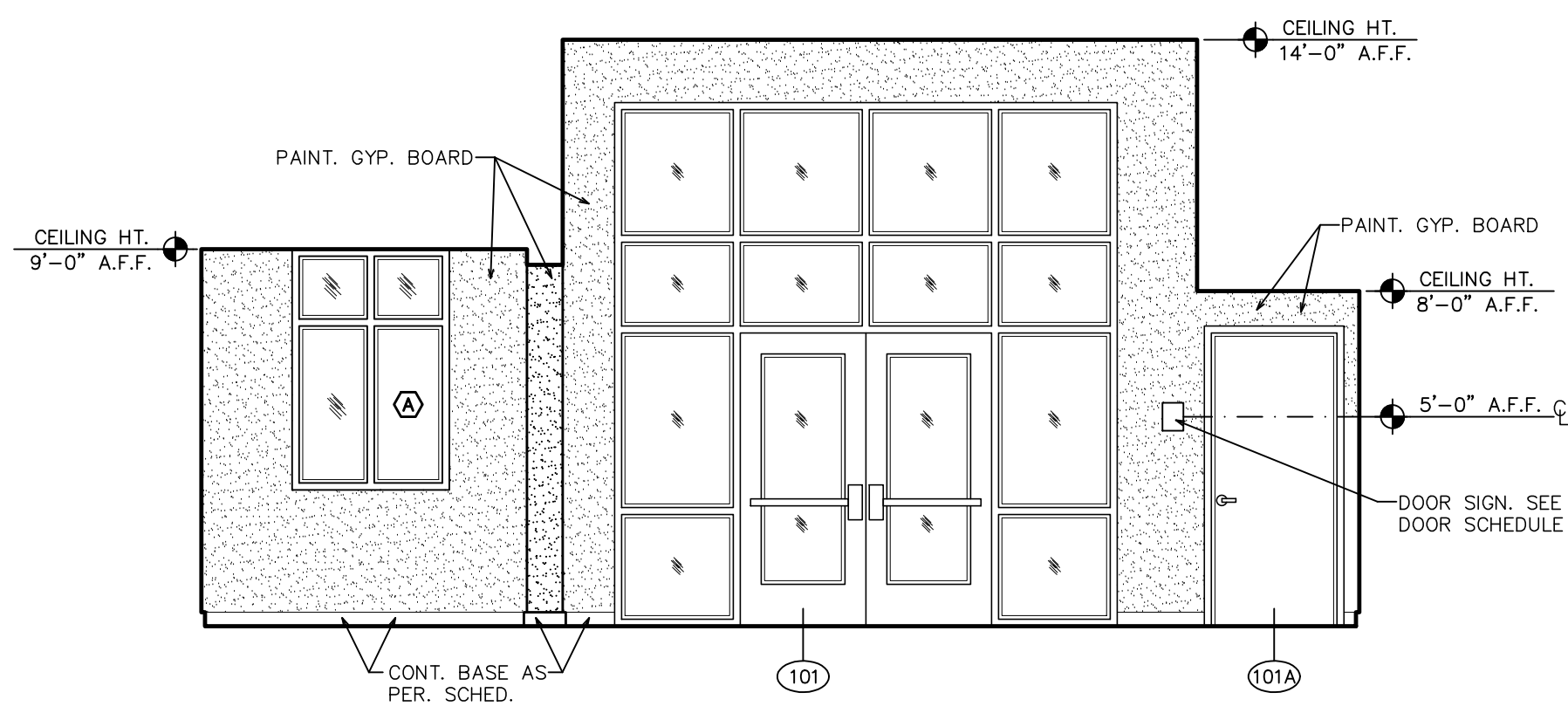
FLOOR PLAN
 1/8" = 1'-0"
 6,031 G.S.F.

FLOOR PLAN LEGEND

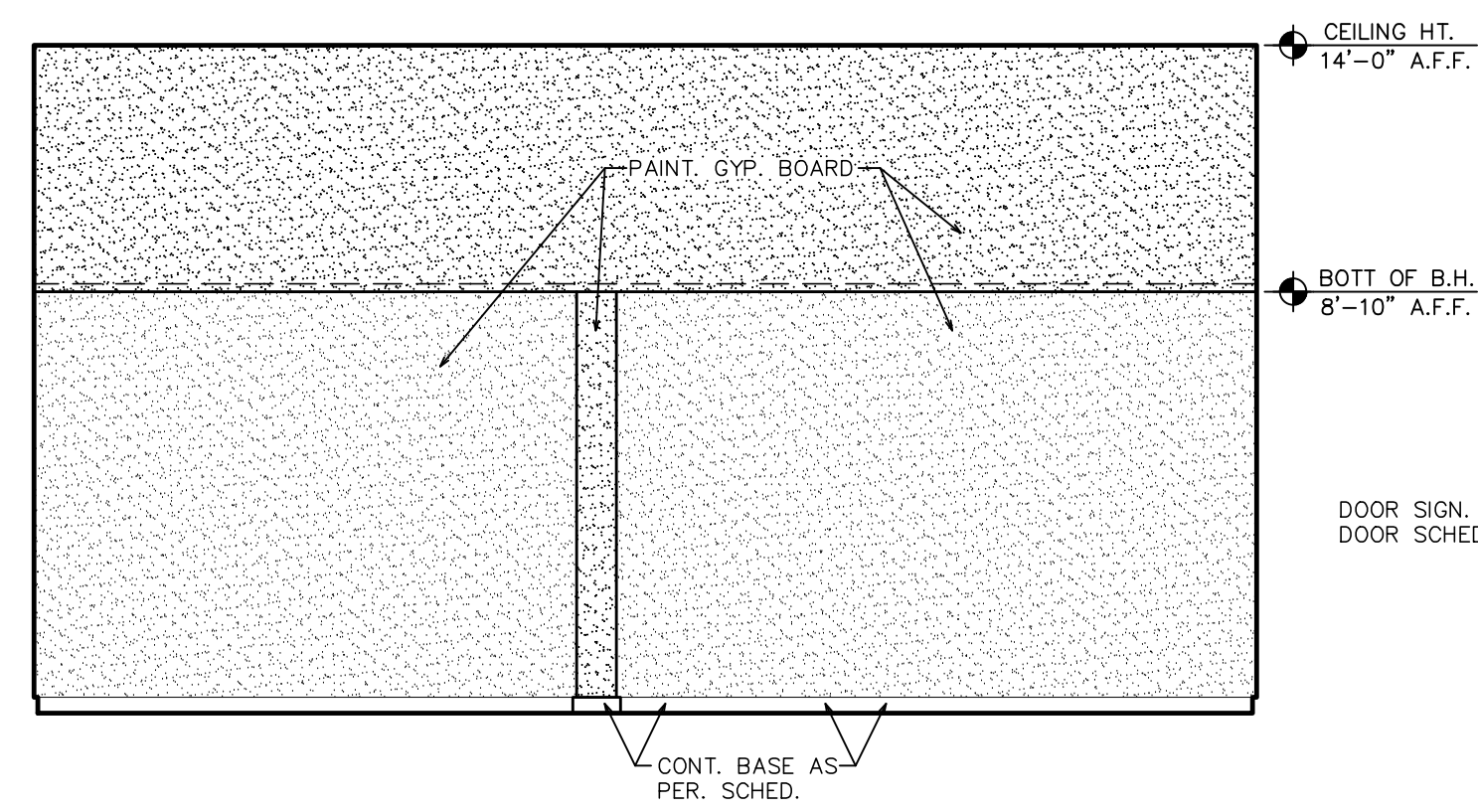
- | | | | |
|--|---|--|--|
| | ROOM FINISH SCHEDULE REFERENCE SYMBOL | | NEW INTERIOR WALL CONSTRUCTION |
| | WINDOW SCHEDULE REFERENCE SYMBOL | | NEW EXTERIOR WALL CONSTRUCTION |
| | DOOR SCHEDULE REFERENCE SYMBOL | | NEW REINFORCED CONC. PAD, APRON, RAMP, OR WALK |
| | STEEL COLUMN LOCATION REFERENCE SYMBOL | | EXTERIOR ELEVATION REFERENCE SYMBOL |
| | GENERAL CONSTRUCTION NOTE REF. SYMBOL SEE SHEET A-1.1 | | INTERIOR ELEVATION REFERENCE SYMBOL |
| | WALL MTD. 10 LB. CAPACITY FIRE EXTINGUISHER | | |
| | WALL HYDRANT. SEE PLUMBING DWGS. | | |

CONSTRUCTION NOTES

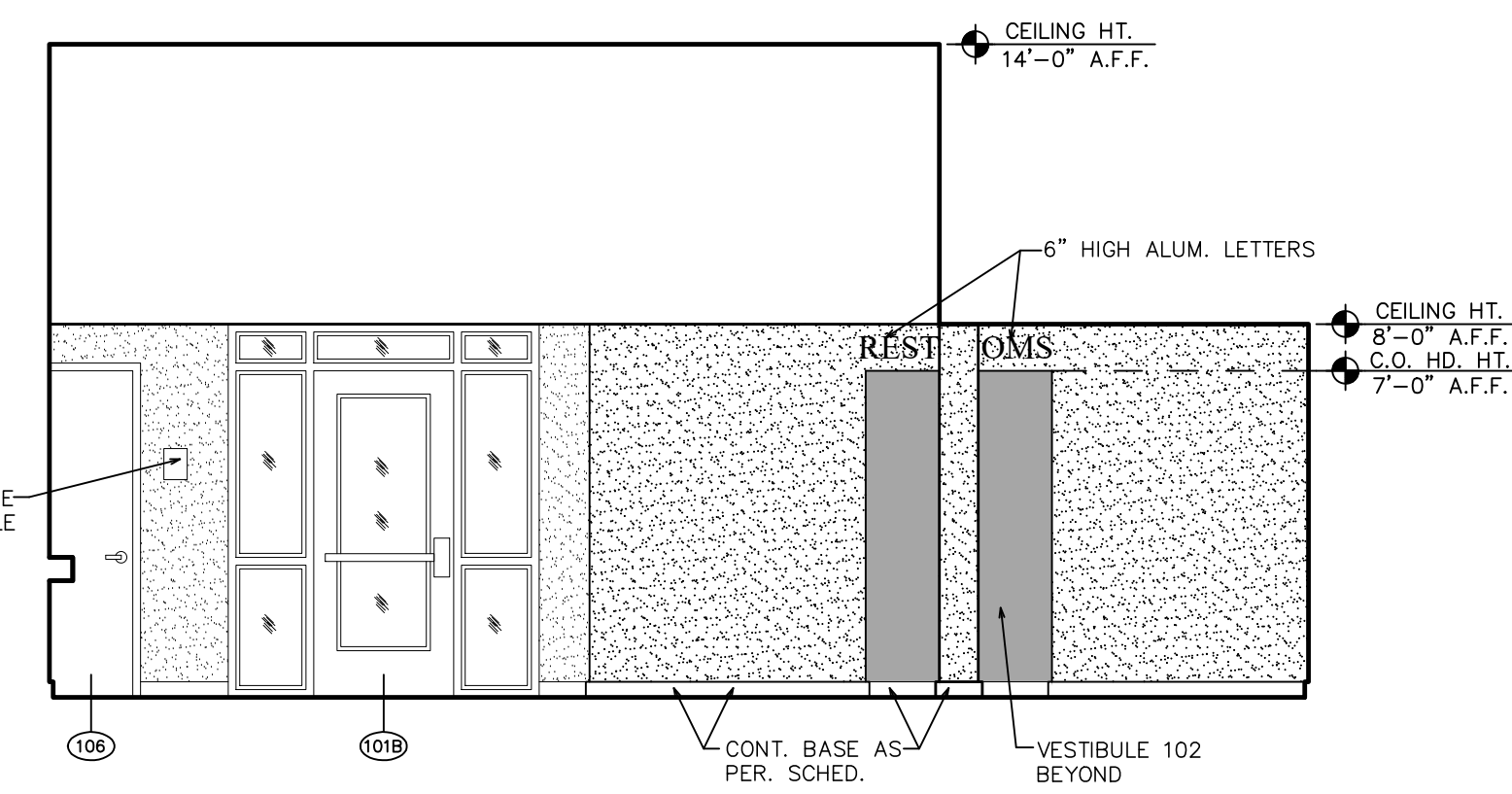
- 1 DENOTES OWNER SUPPLIED & OWNER INSTALLED FURNITURE OR EQUIPMENT
- 2 DENOTES LOCATION OF WALL MOUNTED ALUM. ROOF ACCESS LADDER W/ SECURABLE RESTRICTED ACCESS DOOR. SEE SPECS
- 3 DENOTES APPROX. LOCATION OF ROOF DRAIN LEADER SERVING ROOF DRAINS & BRASS THRU-WALL NOZZLE. SEE ROOF PLAN FOR ROOF DRAIN LOCATIONS & PLUMBING PLANS FOR ROOF DRAIN PIPING
- 4 CONSTRUCT 4" THICK CONC. CONDENSER UNIT PAD & REINFORCED W/ 6 X 6 W1.4 X 1.4 W.M. COORD. EXACT SIZE & LOCATION W/ MECH. CONTRACTOR
- 5 CONSTRUCT 6'-0" WIDE X 8'-0" HIGH ALUM. COV. WALL CANOPY FROM DOOR 101B ENTRANCE ALCOVE TO THE EXIST. EXIT DOOR OF EXIST. HOSPITAL. SEE ARCH. SITE PLAN & SPECIFICATIONS
- 6 CONSTRUCT 18" DEEP PAINTED WOOD SHELVES AS PER INTERIOR ELEVATION & SHELVING SECTION
- 7 PROVIDE & INSTALL S.S. SPECIMEN PASS THRU DEVICE. SEE SPECS.
- 8 DENOTES LOCATION OF FIRE PROTECTION AUTOMATIC SPRINKLER RISER PIPE. SEE CIVIL DRAWINGS & SPECIFICATIONS
- 9 DENOTES LOCATION OF DOMESTIC WATER SYSTEM RISER. SEE PLUMBING & CIVIL DRAWINGS
- 10 CONSTRUCT NEW CONCRETE RETAINING WALL, CONCRETE SIDEWALK RAMP/LANDINGS & PAINTED STEEL PIPE HANDRAIL TO MATCH EXISTING
- 11 CONSTRUCT C.I.P. CONCRETE RETAINING WALL FROM END OF EXISTING MASONRY SCREEN WALL TO BUILDING CORNER AS SHOWN



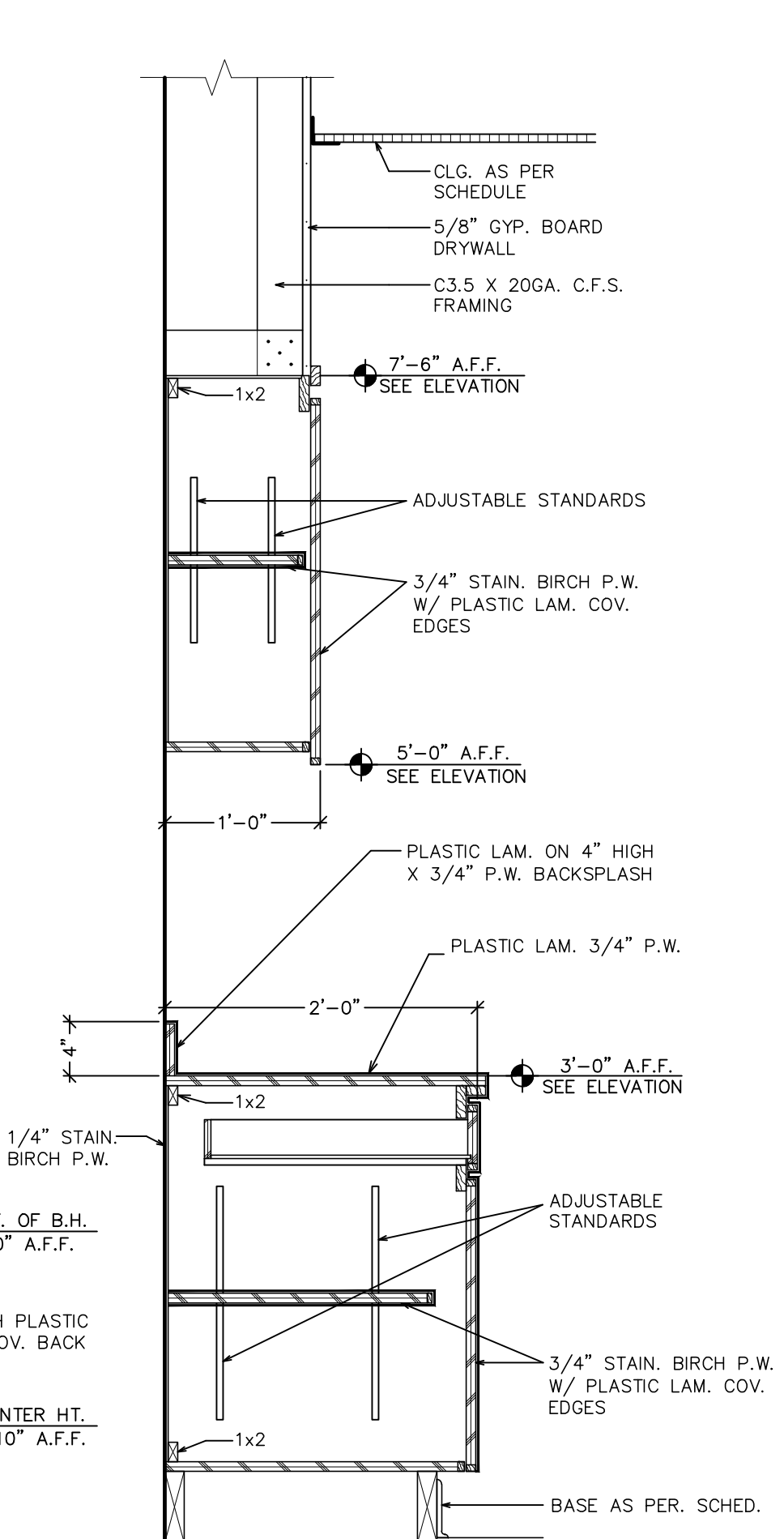
1
A-1.1
INTERIOR ELEVATION
1/4" = 1'-0"
WEST WALL - LOBBY 101



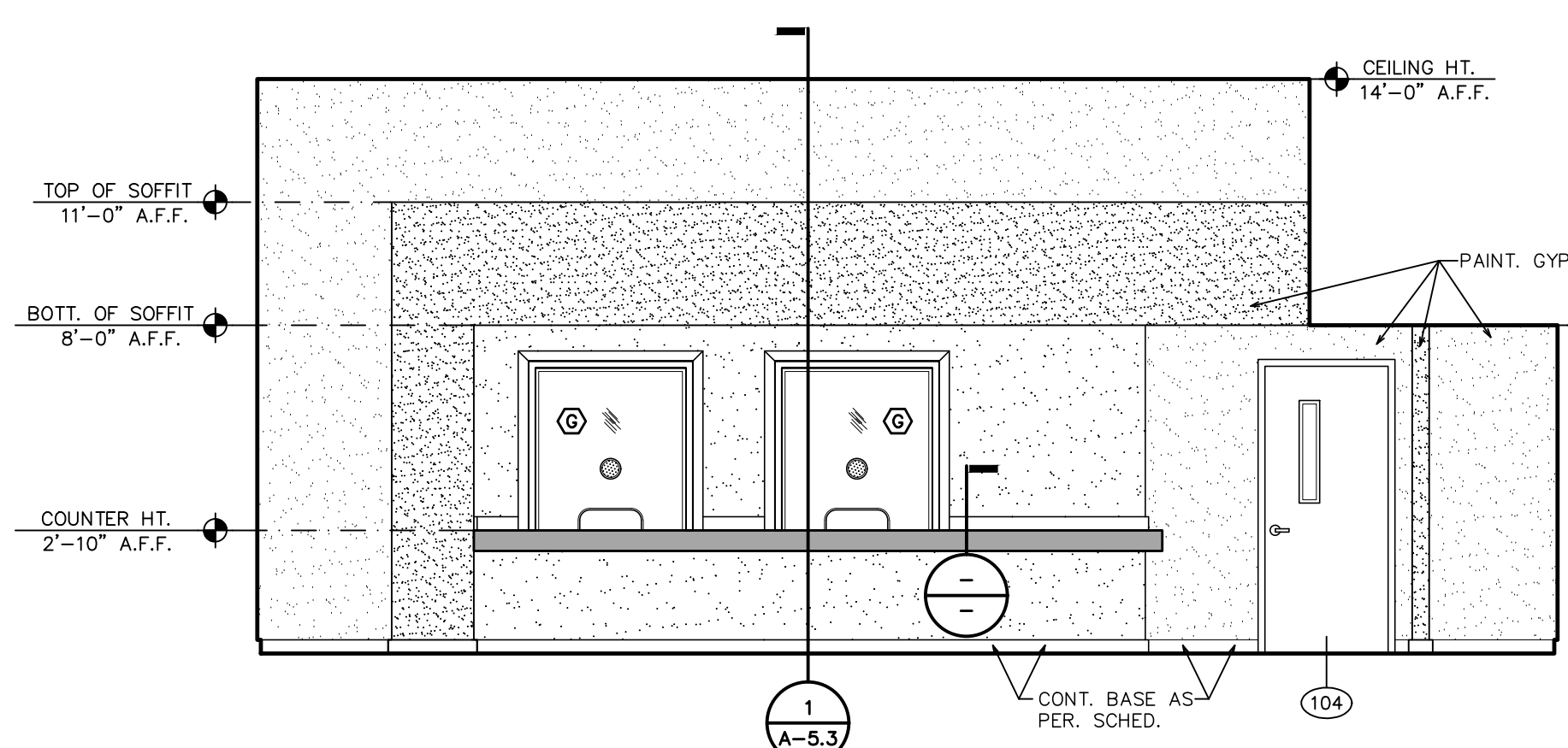
2
A-1.1
INTERIOR ELEVATION
1/4" = 1'-0"
SOUTH WALL - LOBBY 101



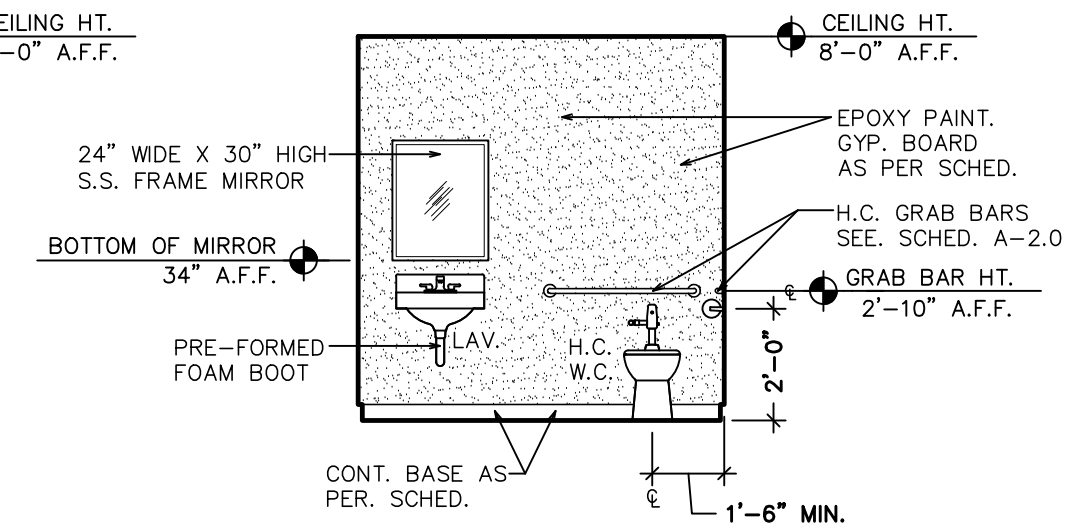
3
A-1.1
INTERIOR ELEVATION
1/4" = 1'-0"
EAST WALL - LOBBY 101



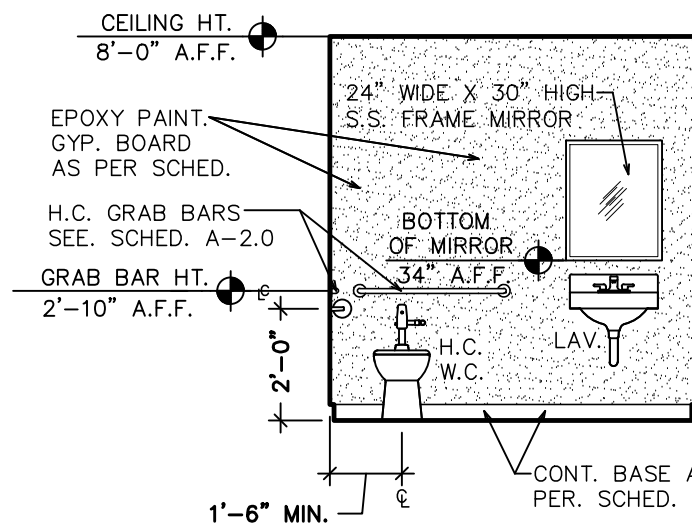
1
A-1.1
BASE/WALL CAB. SECTION
1" = 1'-0"



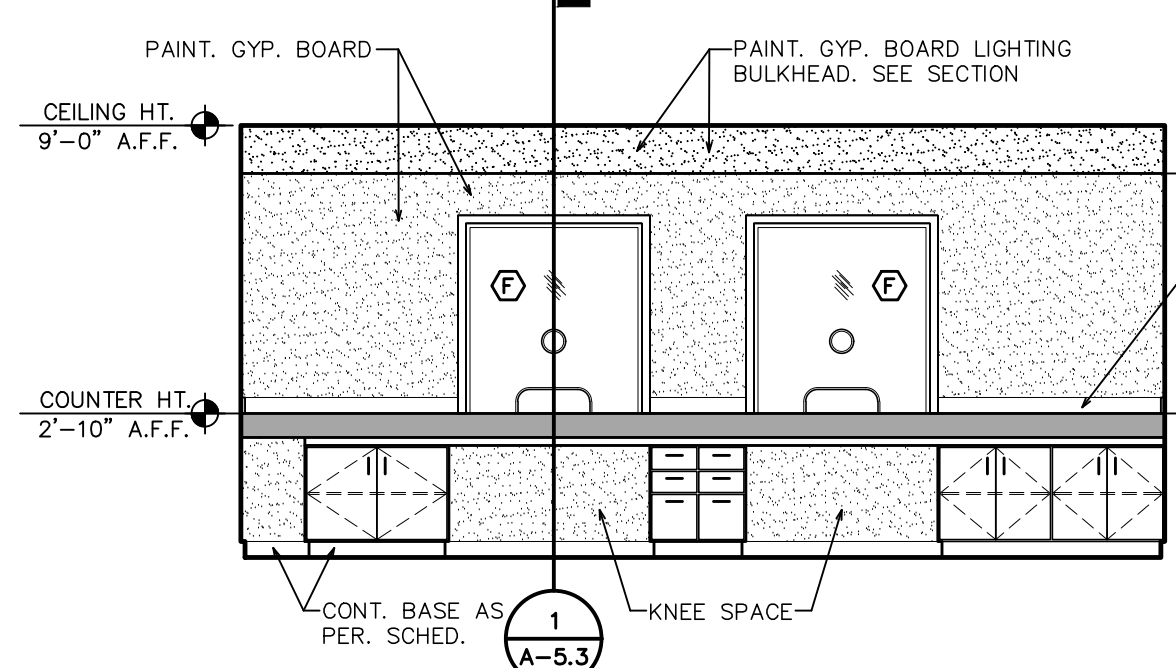
4
A-1.1
INTERIOR ELEVATION
1/4" = 1'-0"
NORTH WALL - LOBBY 101



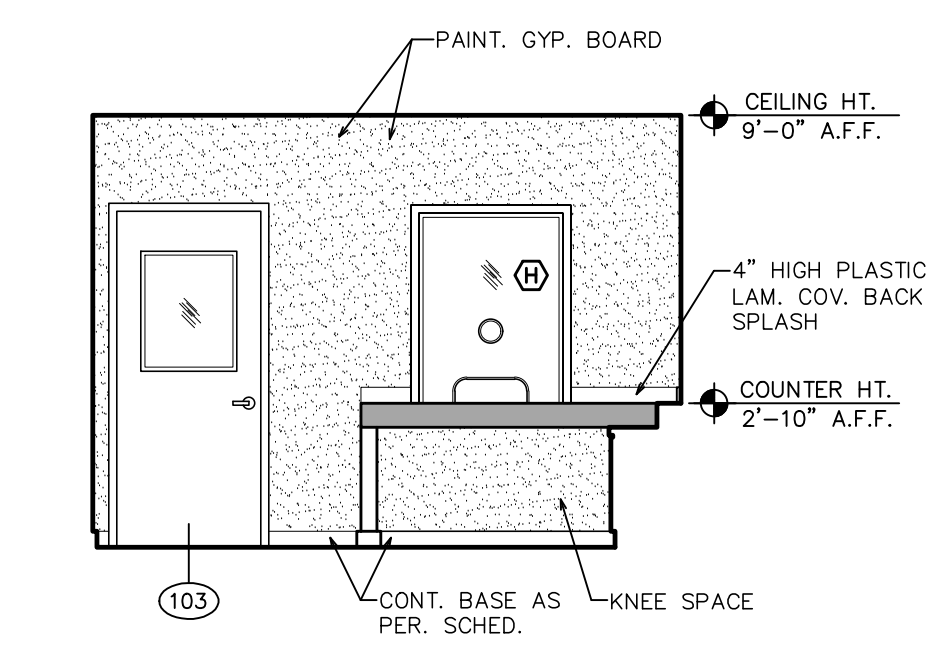
5
A-1.1
INTERIOR ELEVATION
1/4" = 1'-0"
NORTH WALL - MENS RESTROOM 102A



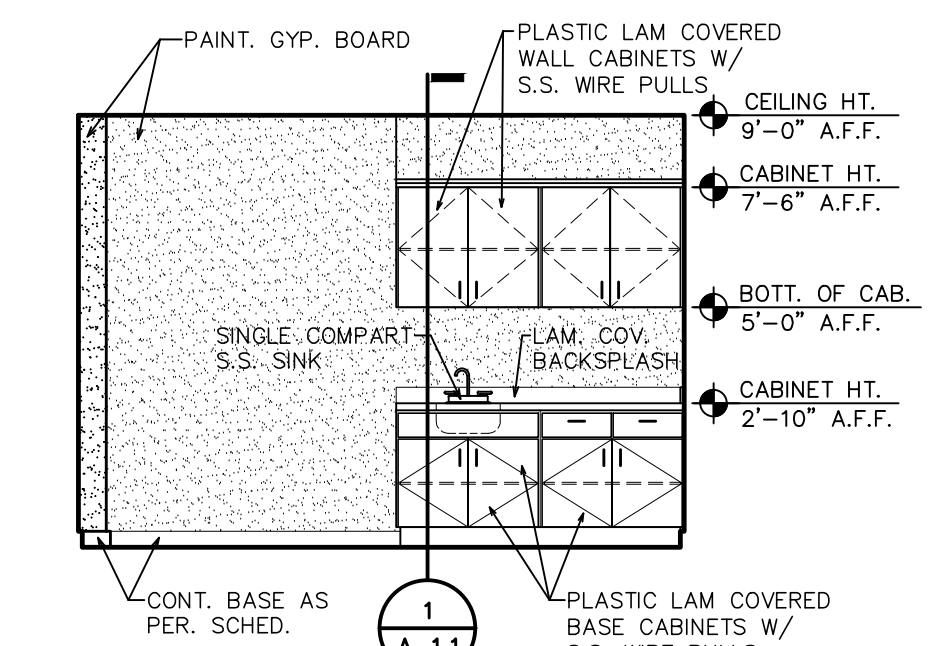
6
A-1.1
INTERIOR ELEVATION
1/4" = 1'-0"
SOUTH WALL - WOMENS RESTROOM 102B



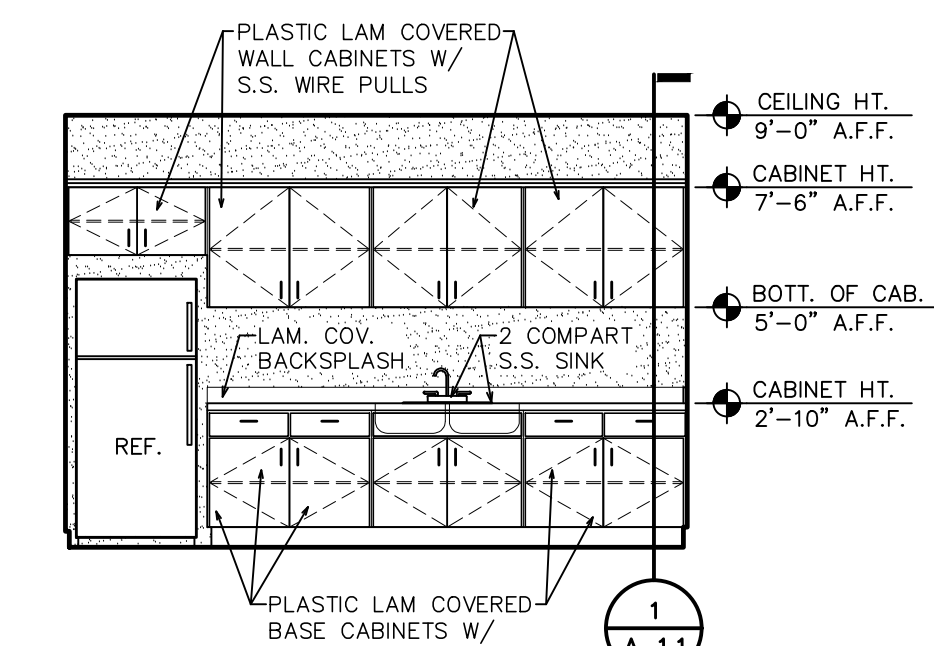
7
A-1.1
INTERIOR ELEVATION
1/4" = 1'-0"
SOUTH WALL - RECEPTION 103



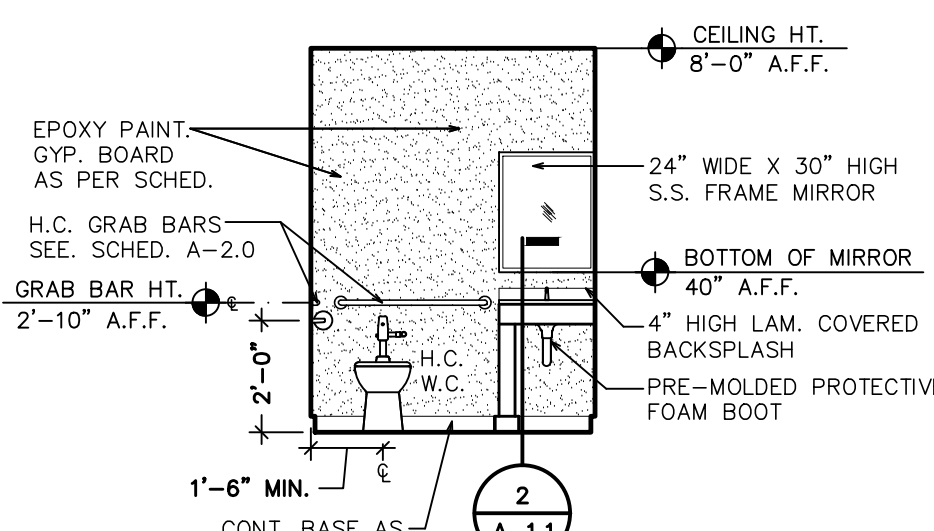
8
A-1.1
INTERIOR ELEVATION
1/4" = 1'-0"
EAST WALL - RECEPTION 103



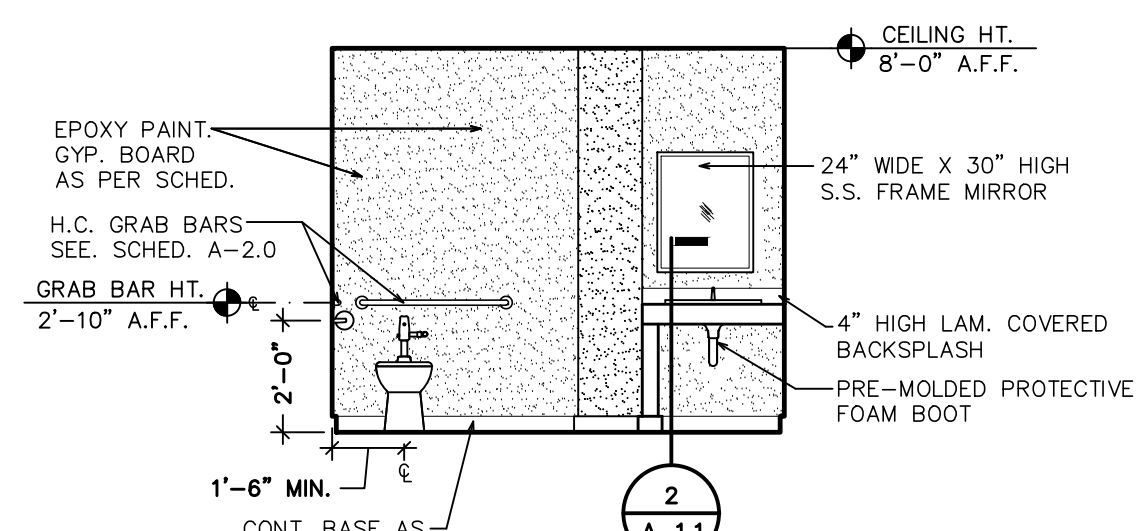
9
A-1.1
INTERIOR ELEVATION
1/4" = 1'-0"
WEST WALL - PROCEDURE 122



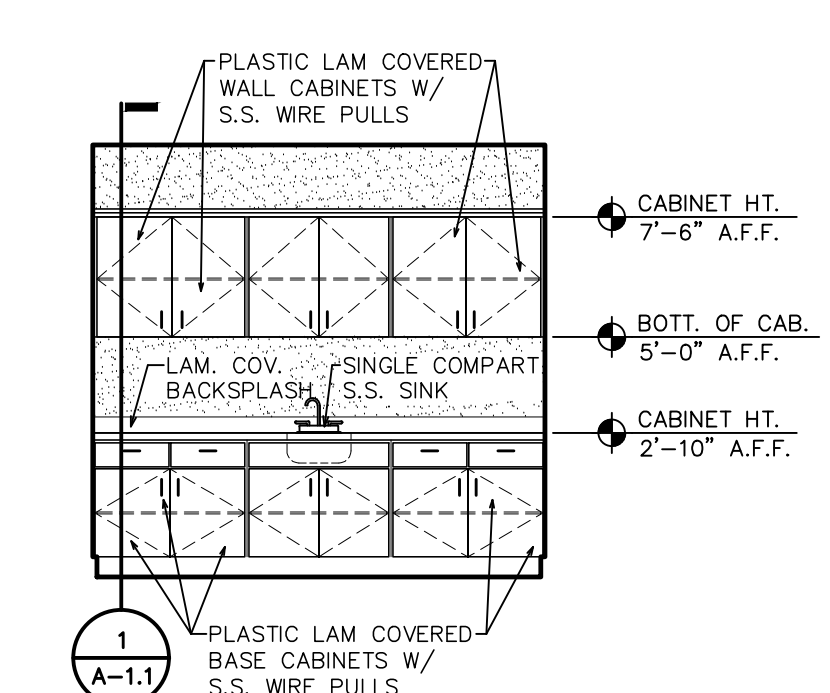
10
A-1.1
INTERIOR ELEVATION
1/4" = 1'-0"
SOUTH WALL - STAFF LOUNGE 135



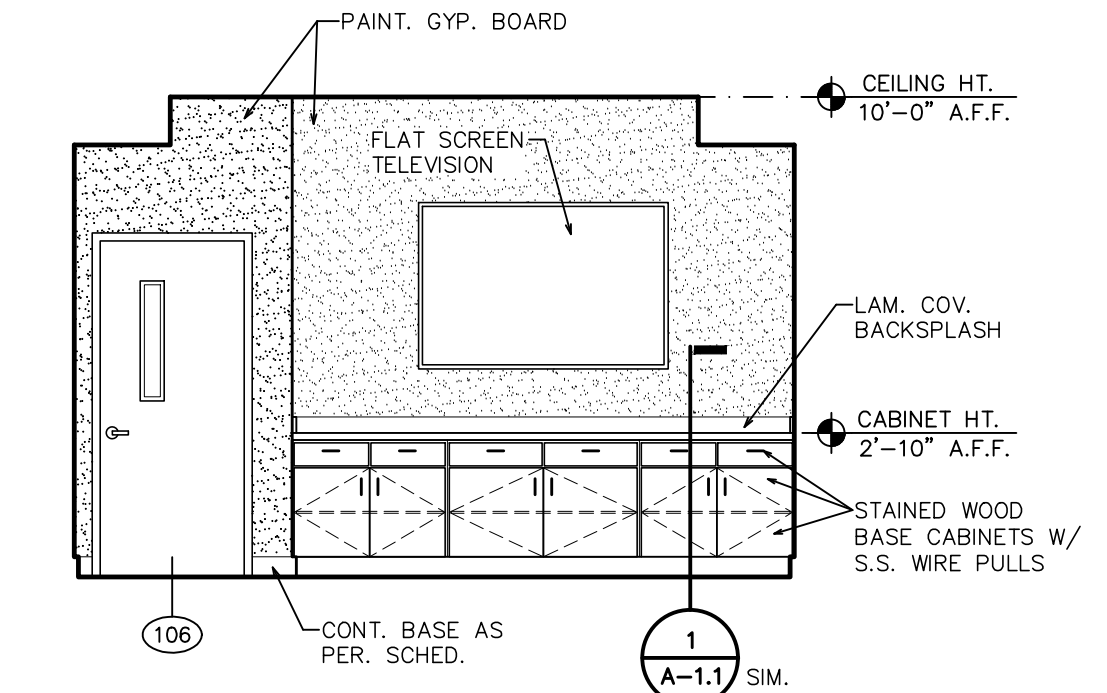
11
A-1.1
INTERIOR ELEVATION
1/4" = 1'-0"
SOUTH WALL - STAFF TOILET 134



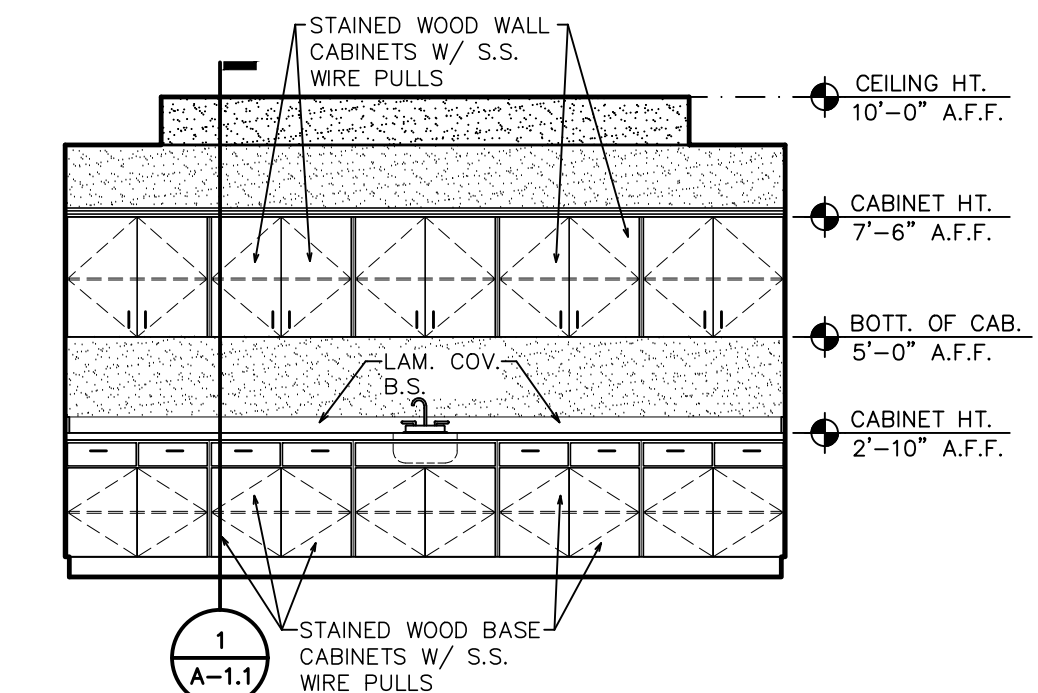
12
A-1.1
INTERIOR ELEVATION
1/4" = 1'-0"
SOUTH WALL - PATIENT TOILET 124



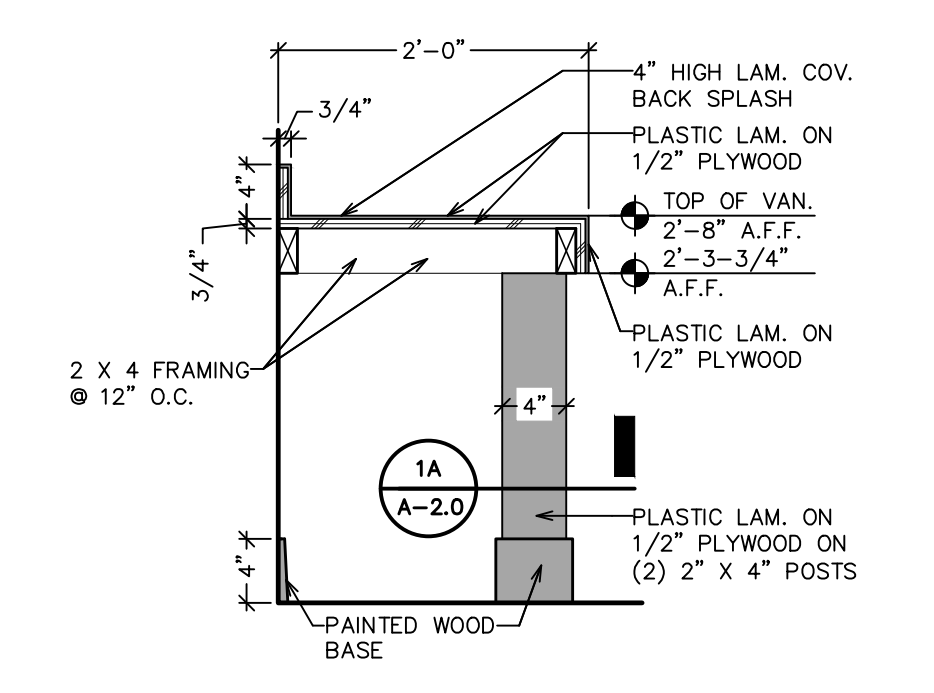
13
A-1.1
INTERIOR ELEVATION
1/4" = 1'-0"
SOUTH WALL - LAB 125



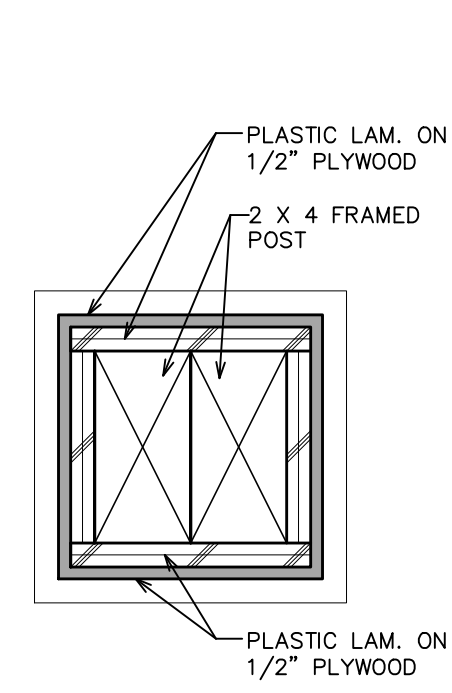
14
A-1.1
INTERIOR ELEVATION
1/4" = 1'-0"
WEST WALL - CONFERENCE ROOM 106



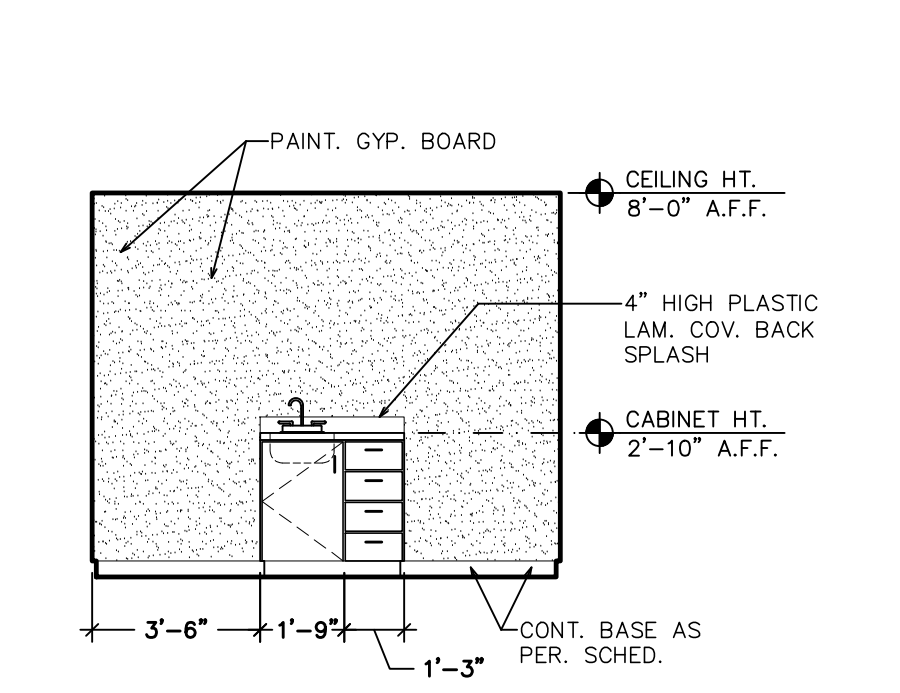
15
A-1.1
INTERIOR ELEVATION
1/4" = 1'-0"
EAST WALL - CONFERENCE ROOM 106



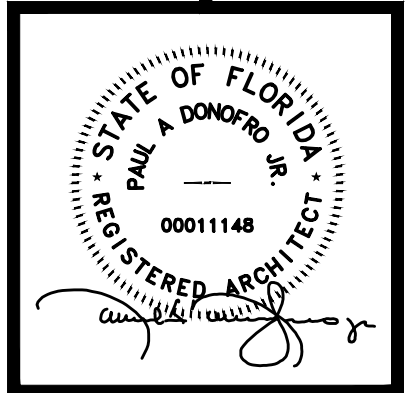
2
A-1.1
VANITY SECTION
1" = 1'-0"



2A
A-1.1
POST DETAIL
3" = 1'-0"

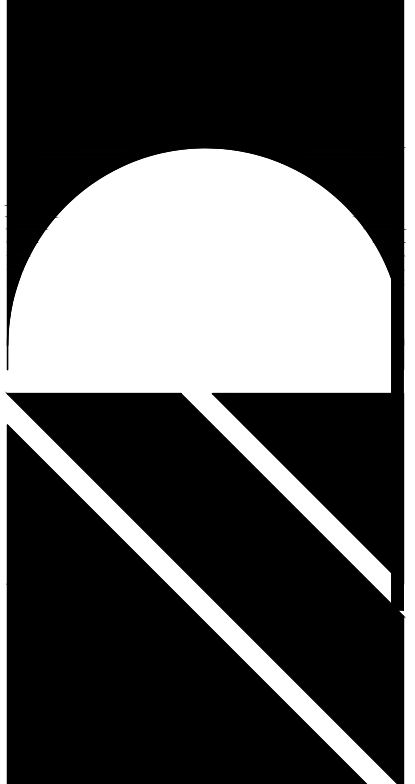


1B
A-1.1
INTERIOR ELEVATION
1/4" = 1'-0"
EAST WALL - ROOMS 107, 116
EAST WALL REVERSED - ROOMS 113, 118
WEST WALL - ROOMS 111, 112, 119, 120
WEST WALL REVERSED - ROOMS 108, 109, 114, 115



THIS DRAWING & DESIGN IS THE PROPERTY OF DONOFRO ARCHITECTS. IT IS TO BE USED ONLY FOR THE PROJECT AND SITE SPECIFICALLY IDENTIFIED HEREIN. ANY REUSE OR REPRODUCTION OF THIS DRAWING WITHOUT THE WRITTEN PERMISSION OF DONOFRO ARCHITECTS IS STRICTLY PROHIBITED.

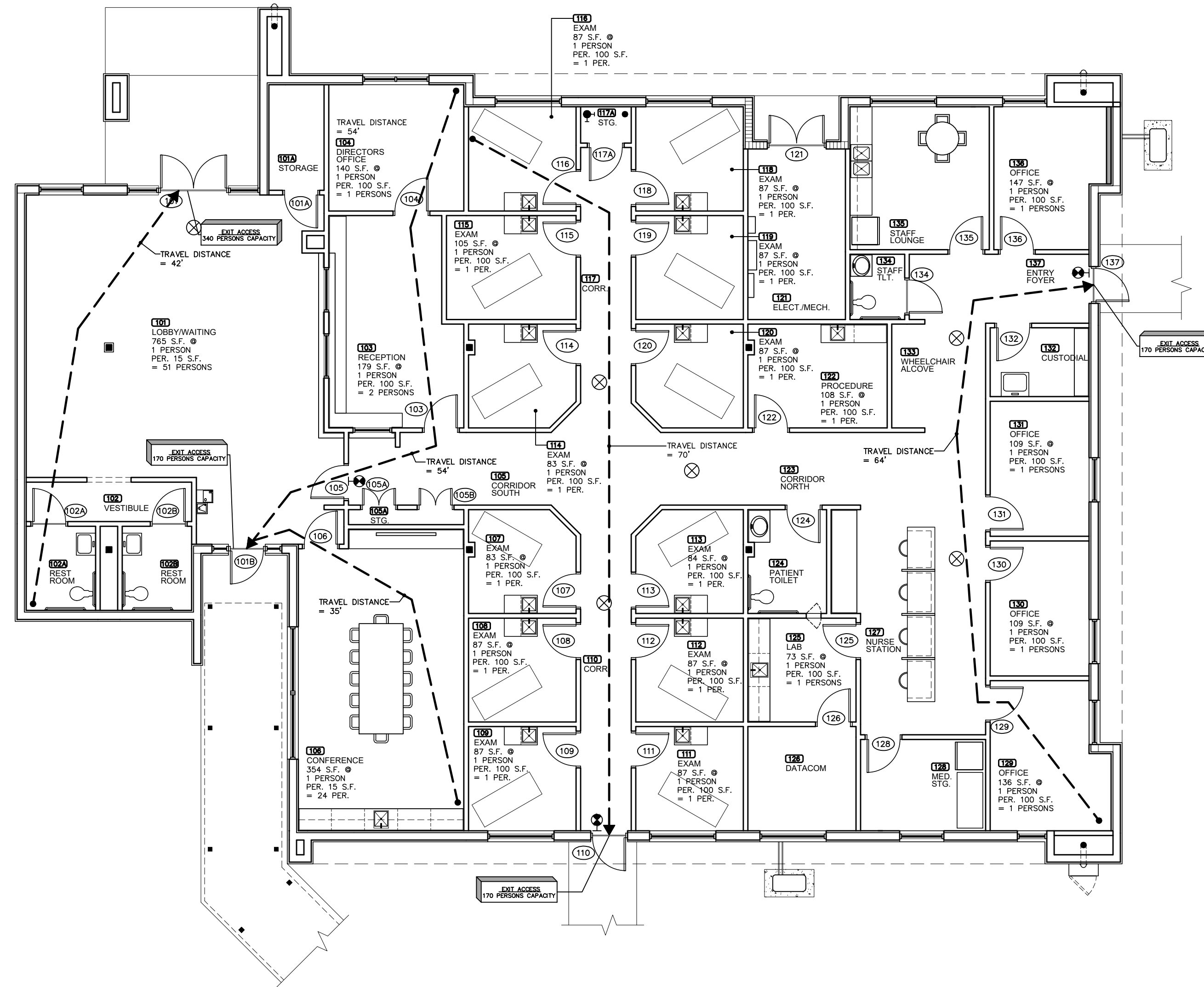
DONOFRO ARCHITECTS
P.O. BOX 861
MARIANNA, FL 32447
OFFICE: (850) 482-5261
FAX: (850) 482-8609



SHEET ENLARGED PARTIAL FLOOR PLANS * INT. ELEV.
FOR
DOCTORS MEMORIAL HOSPITAL
2800 HOSPITAL DR. BONIFAY, FLORIDA

JOB NUMBER: M-2022-03
DATE: JULY 19, 2024
DRAWN BY: C.L.D.
CHECKED BY: P.A.D., JR.

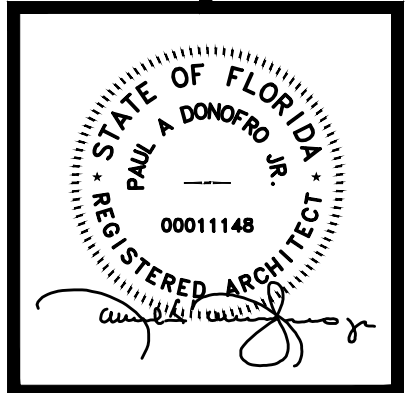
SHEET No.
A-1.1



LIFE SAFETY PLAN
 1/8" = 1'-0"

LIFE SAFETY LEGEND

<ul style="list-style-type: none"> WALL MTD. EMERGENCY EXIT LIGHT. SEE ELECT. DWGS. CEILING MTD. EMERGENCY EXIT LIGHT. SEE ELECT. DWGS. WALL MTD. DIRECTIONAL EMERGENCY EXIT LIGHT CEILING MTD. FIRE ALARM SYSTEM AUTOMATIC SMOKE DETECTOR. SEE ELECT. DWGS. CEILING MTD. AUTOMATIC HEAT DETECTOR. SEE ELECT. DWGS. FIRE ALARM SYSTEM STROBE. SEE ELECT. DWGS. 	<ul style="list-style-type: none"> INDICATE'S MAXIMUM TRAVEL DISTANCE FIRE ALARM SYSTEM SIGNAL SPEAKER/STROBE. SEE ELECT. DWGS. FIRE ALARM SYSTEM MANUAL PULL STATION. SEE ELECT. DWGS.
--	---

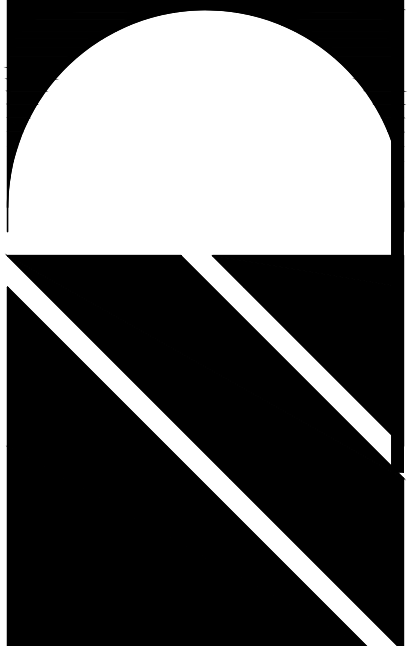


THIS DRAWING & DESIGN IS THE PROPERTY OF DONOFRO ARCHITECTS, P.A. NO PART OF THIS DRAWING OR DESIGN IS TO BE REPRODUCED OR TRANSMITTED IN ANY FORM OR BY ANY MEANS, ELECTRONIC OR MECHANICAL, WITHOUT THE WRITTEN PERMISSION OF DONOFRO ARCHITECTS, P.A.

DONOFRO ARCHITECTS

2910 CALEDONIA ST.
 MARIANNA, FL 32446
 OFFICE: (850) 482-5261

P.O. BOX 861
 MARIANNA, FL 32447
 FAX: (850) 482-8609

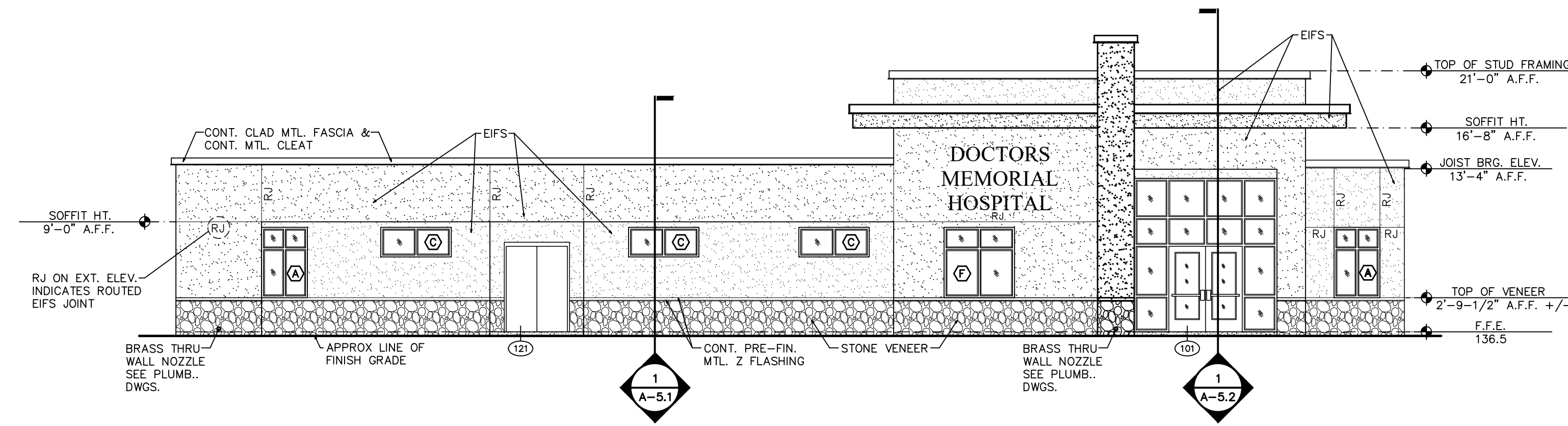


SHEET TITLE: LIFE SAFETY PLAN * LEGEND
 FOR: NEW MEDICAL OFFICE BUILDING
 FOR: DOCTORS MEMORIAL HOSPITAL
2600 HOSPITAL DR. BONIFAY, FLORIDA

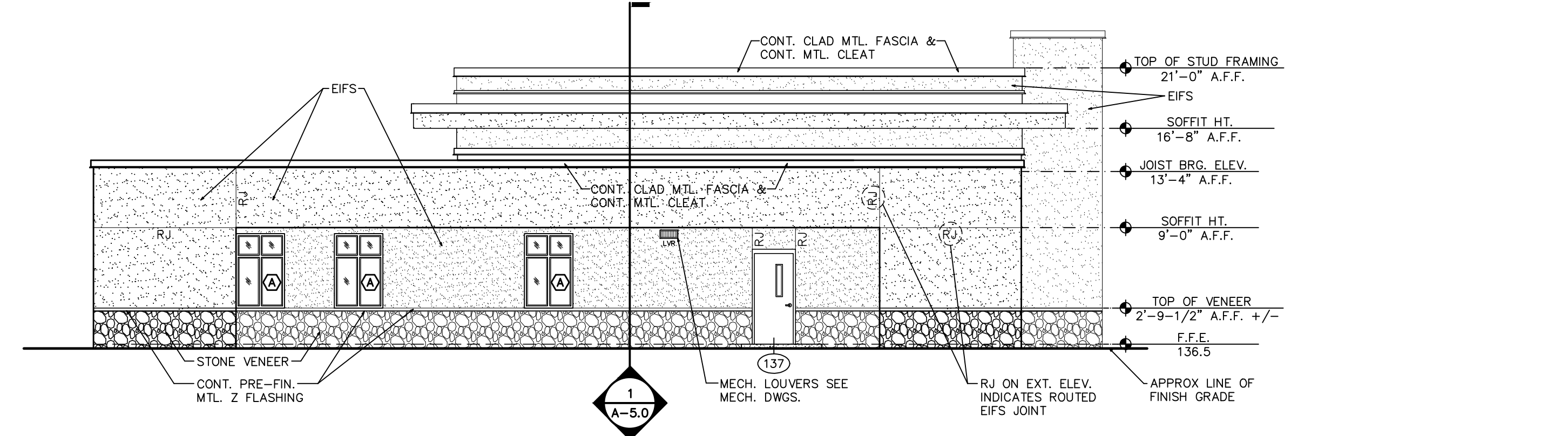
JOB NUMBER: M-2022-03
 DATE: JULY 19, 2024
 DRAWN BY: C.L.D.
 CHECKED BY: P.A.D., JR.

SHEET No.

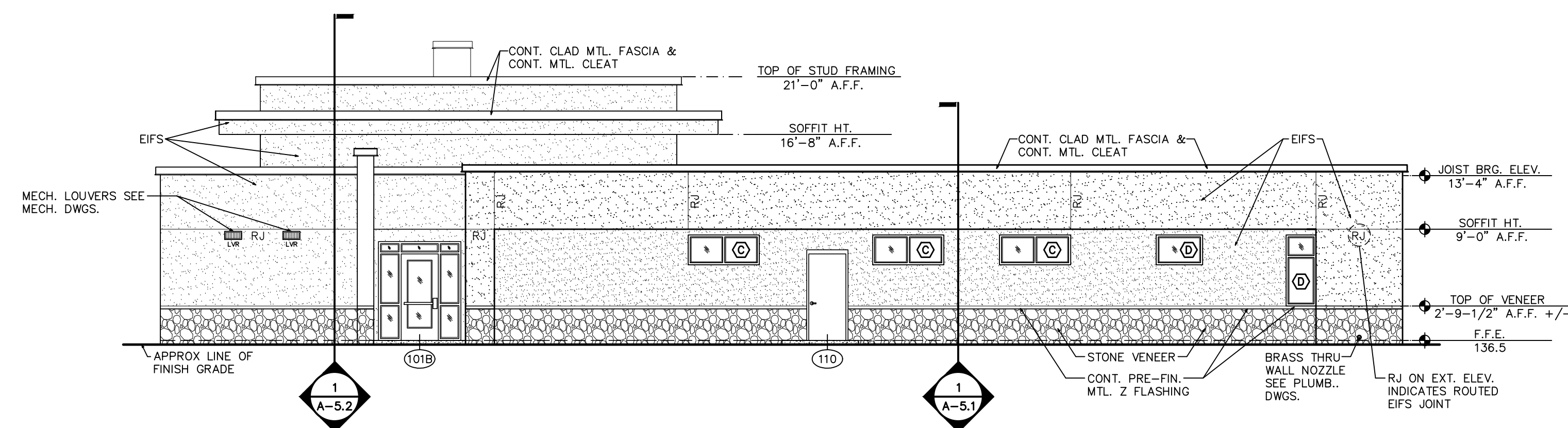
A-1.2



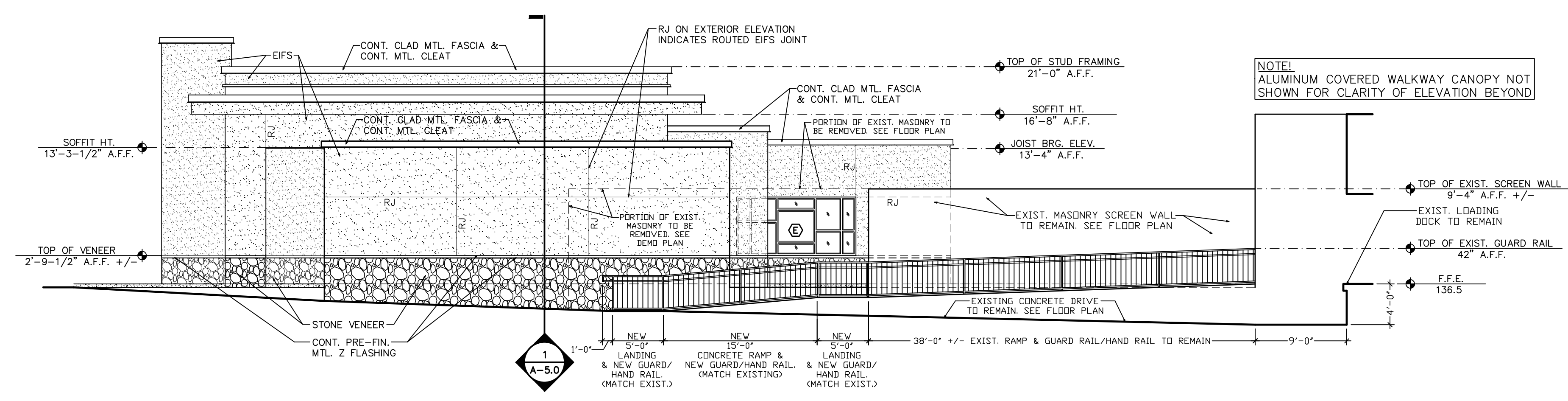
WEST ELEVATION
1/8" = 1'-0"



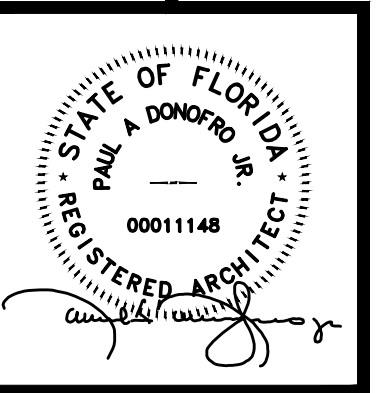
NORTH ELEVATION
1/8" = 1'-0"



EAST ELEVATION
1/8" = 1'-0"



SOUTH ELEVATION
1/8" = 1'-0"



THIS DRAWING & DESIGN IS THE PROPERTY OF DONOFRO ARCHITECTS. NO PART OF THIS DRAWING OR DESIGN IS TO BE REPRODUCED OR TRANSMITTED IN ANY FORM OR BY ANY MEANS, ELECTRONIC OR MECHANICAL, WITHOUT THE WRITTEN PERMISSION OF DONOFRO ARCHITECTS. SUBJECT TO LEGAL ACTION.

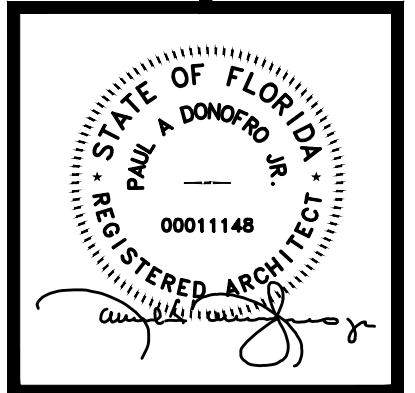
DONOFRO ARCHITECTS
2910 CALEDONIA ST.
MARIANNA, FL 32446
OFFICE: (850) 482-5261
P.O. BOX 861
MARIANNA, FL 32447
FAX: (850) 482-8609



SHEET EXTERIOR ELEVATIONS
TITLE:
NEW MEDICAL OFFICE BUILDING
FOR:
DOCTORS MEMORIAL HOSPITAL
2800 HOSPITAL DR. BONIFAY, FLORIDA

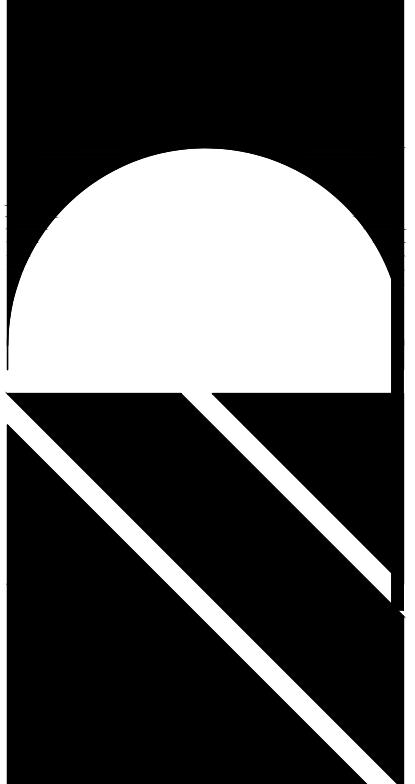
JOB NUMBER: M-2022-03
DATE: JULY 19, 2024
DRAWN BY: C.L.D.
CHECKED BY: P.A.D., JR.

SHEET No.
A-3.0



THIS DRAWING & EVERYTHING CONTAINED HEREIN ARE THE PROPERTY OF DONOFRO ARCHITECTS, P.A. NO PART OF THIS DRAWING OR ANY INFORMATION CONTAINED HEREIN IS TO BE REPRODUCED OR TRANSMITTED IN ANY FORM OR BY ANY MEANS, ELECTRONIC OR MECHANICAL, WITHOUT THE WRITTEN PERMISSION OF DONOFRO ARCHITECTS, P.A. © DONOFRO ARCHITECTS

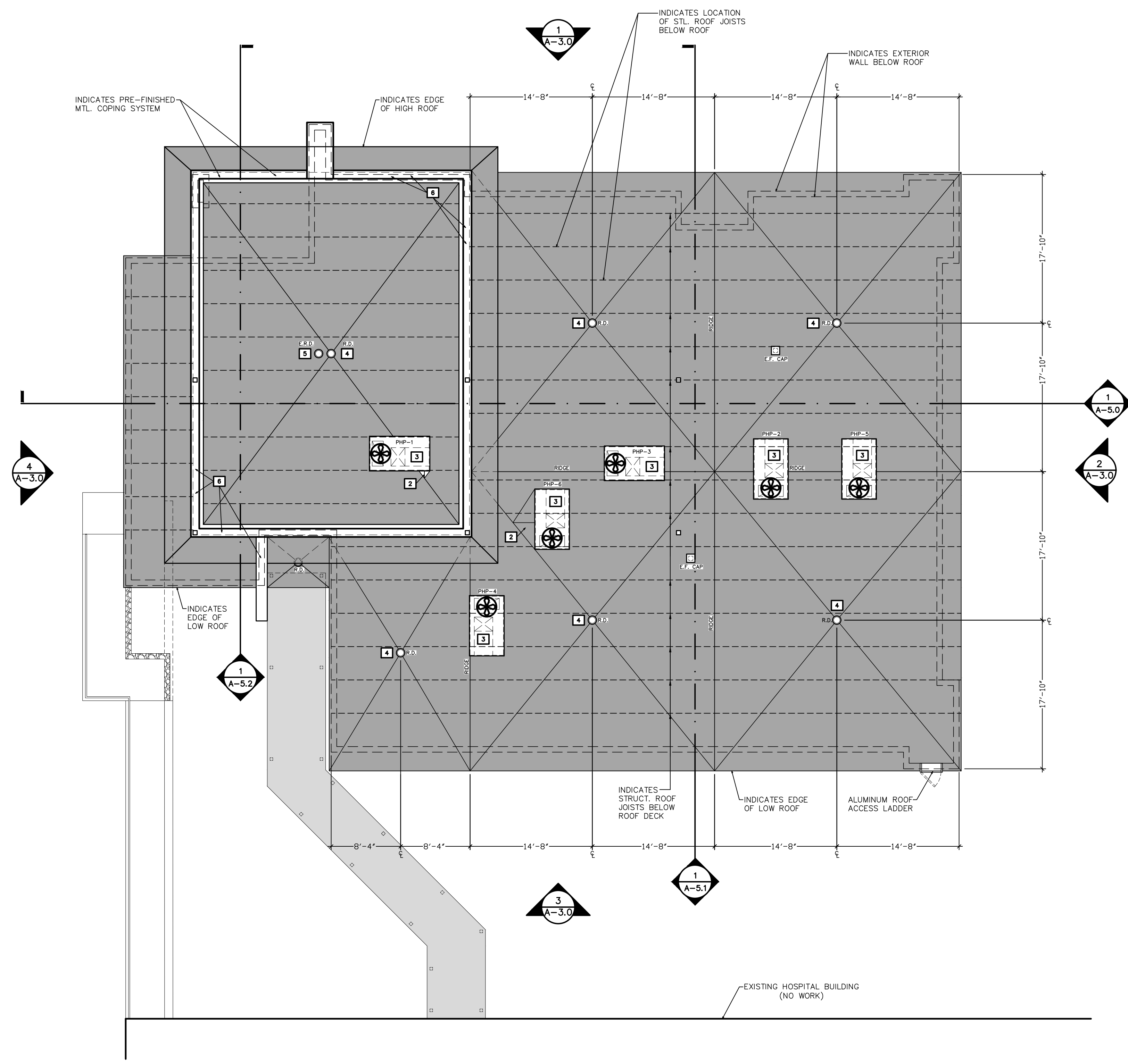
DONOFRO ARCHITECTS
 P.O. BOX 861
 MARIANNA, FL 32447
 OFFICE: (850) 482-5261
 2910 CALEDONIA ST.
 MARIANNA, FL 32446
 FAX: (850) 482-8609



SHEET / ROOF PLAN * ROOF PLAN NOTES
 TITLE: NEW MEDICAL OFFICE BUILDING
 FOR: DOCTORS MEMORIAL HOSPITAL
 2600 HOSPITAL DR. BONIFAY, FLORIDA

JOB NUMBER: M-2022-03
 DATE: JULY 19, 2024
 DRAWN BY: C.L.D.
 CHECKED BY: P.A.D., JR.

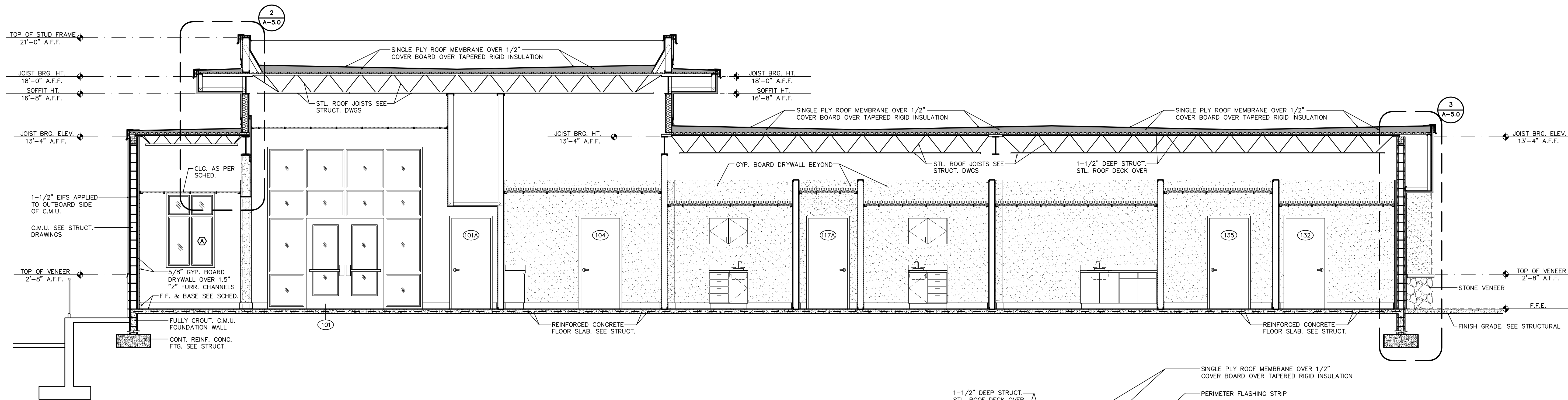
SHEET No.
A-4.0



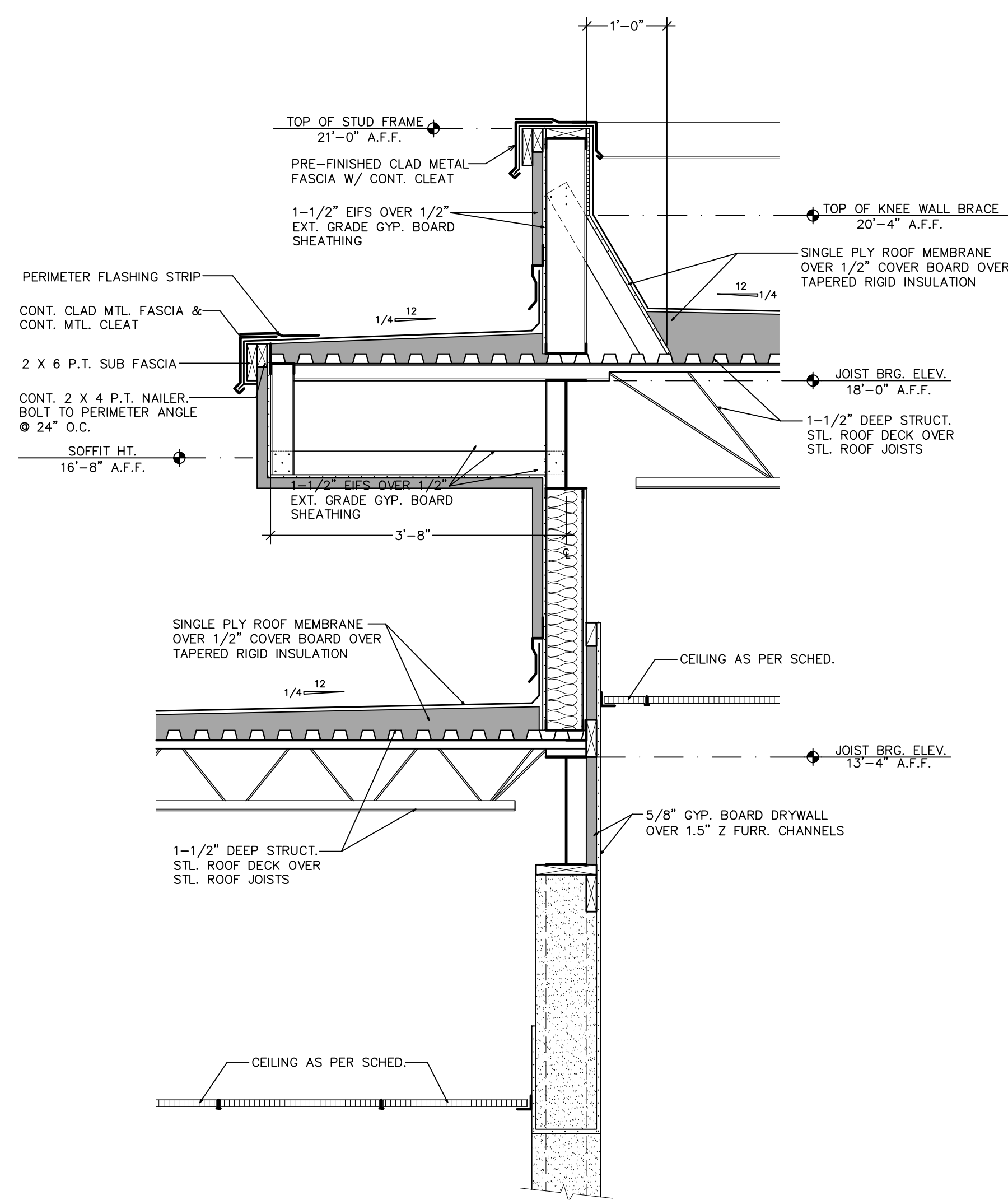
ROOF PLAN NOTES

- 1 [Hatched Area] HATCH ON THIS PLAN INDICATES NEW SINGLE PLY ROOF MEMBRANE TO BE INSTALLED W/ MIN. 1/4" PER FOOT POSITIVE SLOPE OVER COVER BOARD OVER TAPERED RIGID INSULATION OVER STEEL DECK
- 2 [Symbol] CONSTRUCT ROOF CRICKET AS REQUIRED TO DIVERT ROOF SURFACE WATER AROUND PACKAGE HEAT PUMP ROOF TOP UNIT
- 3 [Symbol] INDICATES APPROX. LOCATION OF PACKAGE HEAT PUMP ROOF TOP UNIT & ROOF CURB. SEE MECH. DWGS. FOR SIZE, WEIGHT, & DUCT WORK CONNECTIONS & ELECTRICAL DWGS. FOR POWER REQUIREMENTS
- 4 [Symbol] INDICATES LOCATION OF ROOF DRAIN & ROOF DRAIN STRAINER BASKET. COORD. LOCATION W/ ROOF JOISTS (SHOWN ON PLAN) & SEE PLUMBING DWGS. FOR UNDER ROOF PIPING
- 5 [Symbol] INDICATES LOCATION OF EMERGENCY OVERFLOW ROOF DRAIN. SEE PLUMBING DWGS. FOR UNDER ROOF PIPING
- 6 [Symbol] PROVIDE & INSTALL PRE-FINISHED METAL COPING SYSTEM W/ CONTINUOUS CLEATS & PRE-FABRICATED OUTSIDE CORNERS

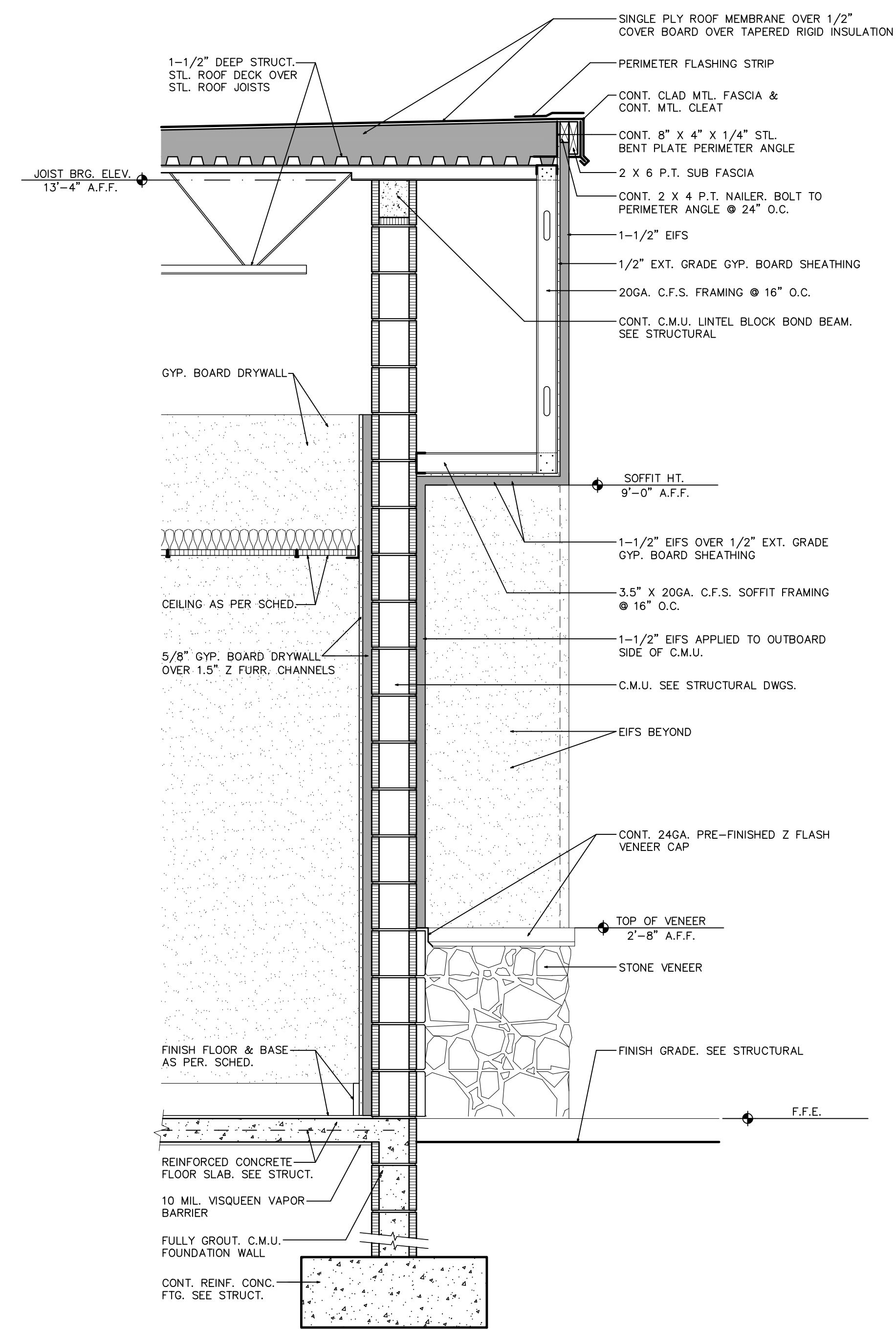
ROOF PLAN
 1/8" = 1'-0"



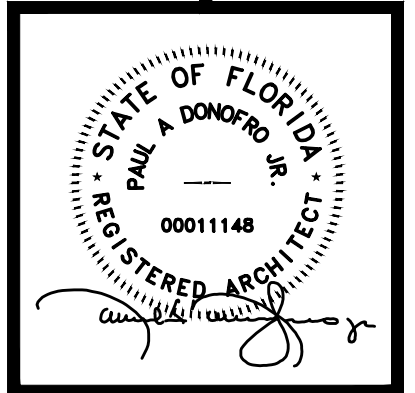
1
A-5.0
TRANSVERSE BUILDING SECTION
1/4" = 1'-0"



2
A-5.0
DETAIL
3/4" = 1'-0"

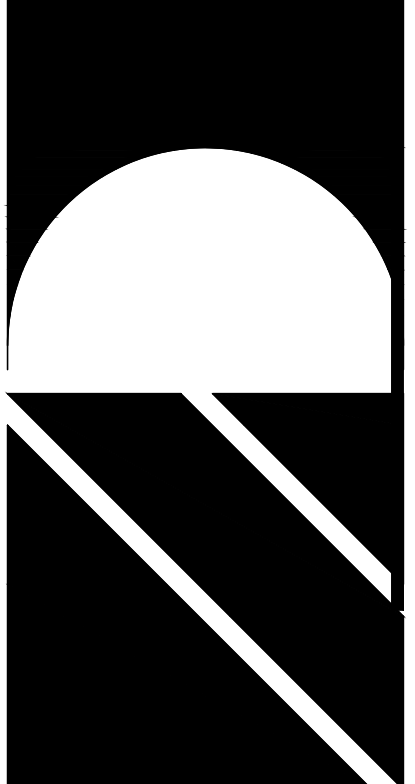


3
A-5.0
DETAIL
3/4" = 1'-0"



THIS DRAWING & SPECIFICATIONS ARE THE PROPERTY OF DONOFRO ARCHITECTS, INC. NO REUSE OR REPRODUCTION OF THIS DRAWING OR SPECIFICATIONS IS PERMITTED WITHOUT THE WRITTEN PERMISSION OF DONOFRO ARCHITECTS, INC. SUBJECT TO LEGAL ACTION.

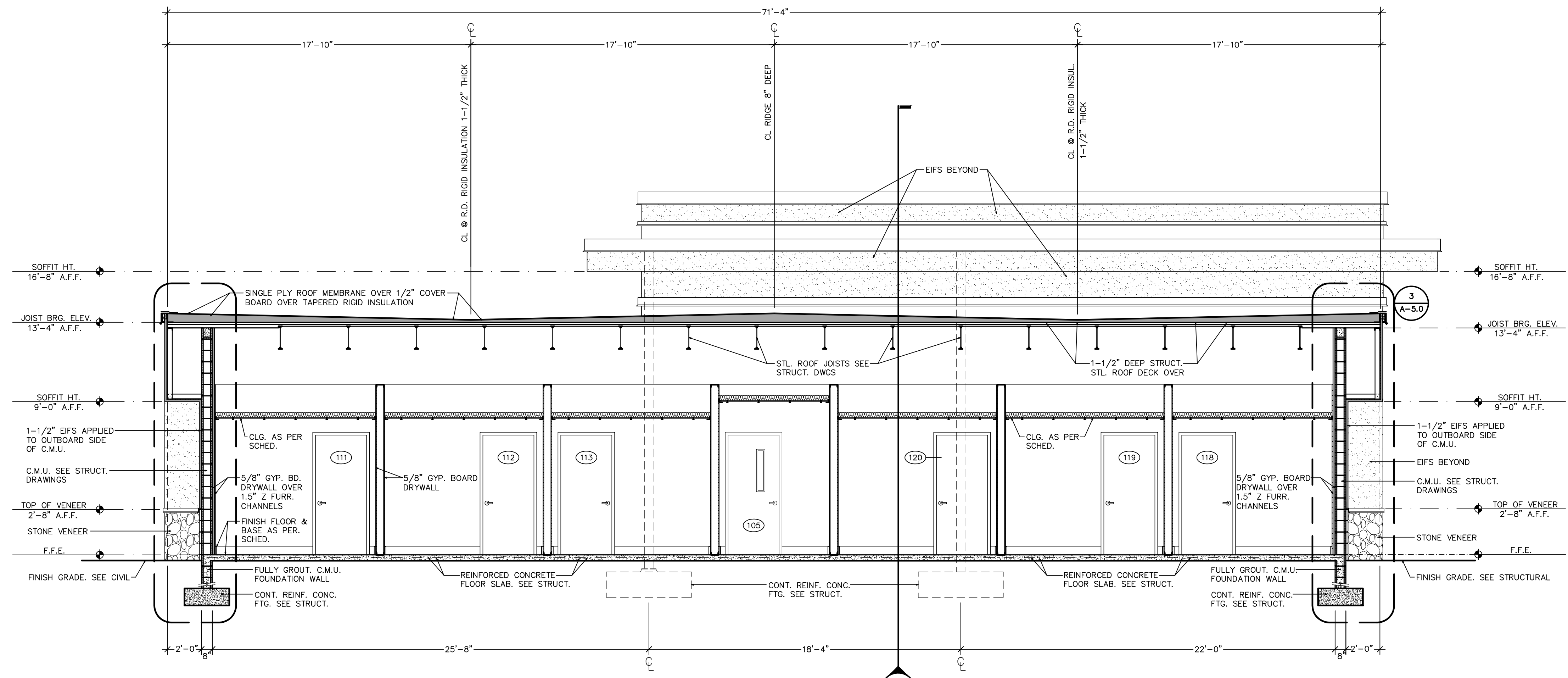
DONOFRO ARCHITECTS
P.O. BOX 861
MARIANNA, FL 32447
OFFICE: (850) 482-5261



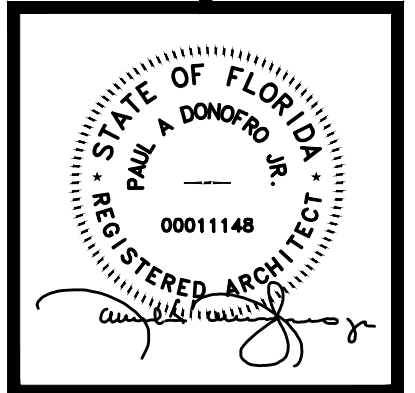
SHEET TRANSVERSE BUILDING SECTION * DETAILS
TITLE:
NEW MEDICAL OFFICE BUILDING
FOR:
DOCTORS MEMORIAL HOSPITAL
2800 HOSPITAL DR. BONIFAY, FLORIDA

JOB NUMBER: M-2022-03
DATE: JULY 19, 2024
DRAWN BY: C.L.D.
CHECKED BY: P.A.D., JR.

SHEET No.
A-5.0

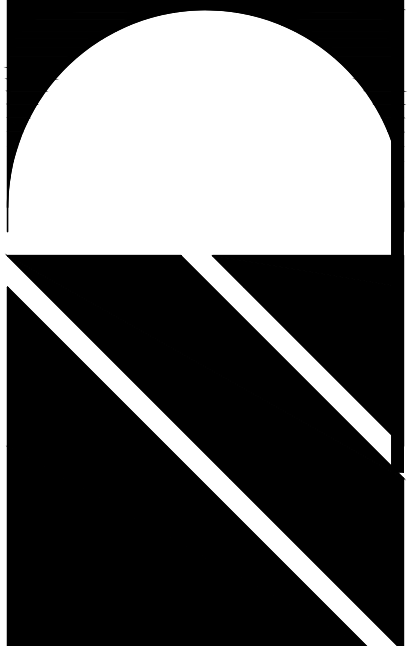


1
A-5.1
TRANSVERSE BUILDING SECTION * DETAILS
1/4" = 1'-0"



THIS DRAWING & EVERYTHING CONTAINED HEREIN ARE THE SOLE PROPERTY OF DONOFRO ARCHITECTS, P.A. NO PART OF THIS DRAWING OR ANY INFORMATION CONTAINED HEREIN IS TO BE REPRODUCED OR TRANSMITTED IN ANY FORM OR BY ANY MEANS, ELECTRONIC OR MECHANICAL, WITHOUT THE WRITTEN PERMISSION OF DONOFRO ARCHITECTS, P.A. SUBJECT TO LEGAL ACTION.

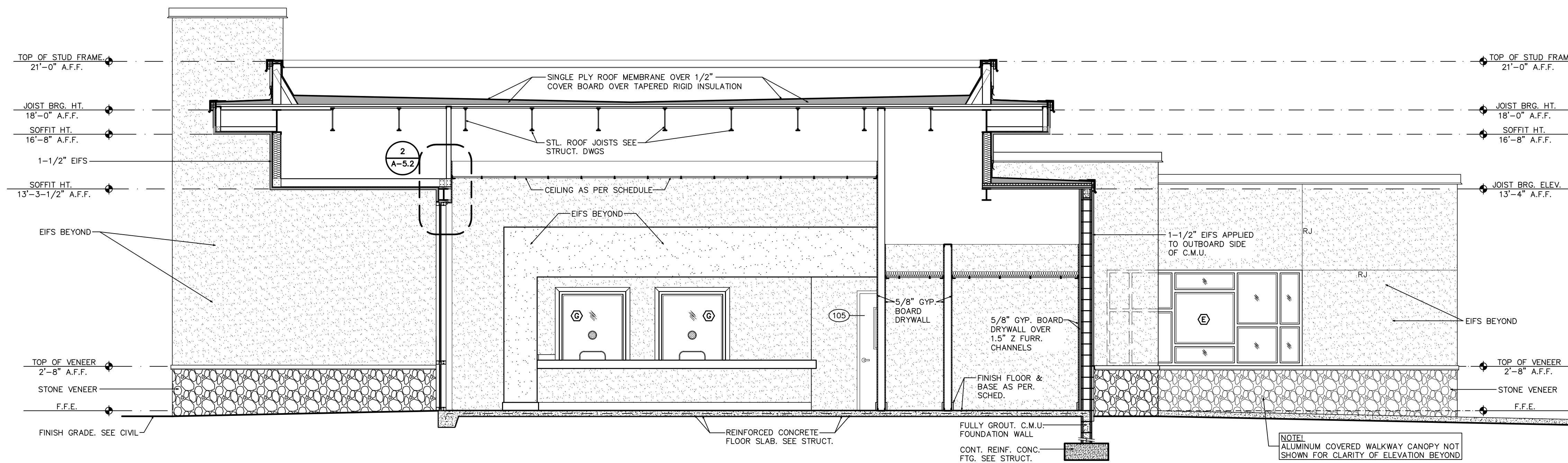
DONOFRO ARCHITECTS
 P.O. BOX 861
 MARIANNA, FL 32447
 OFFICE: (850) 482-5261
 2910 CALEDONIA ST.
 MARIANNA, FL 32446
 FAX: (850) 482-8609



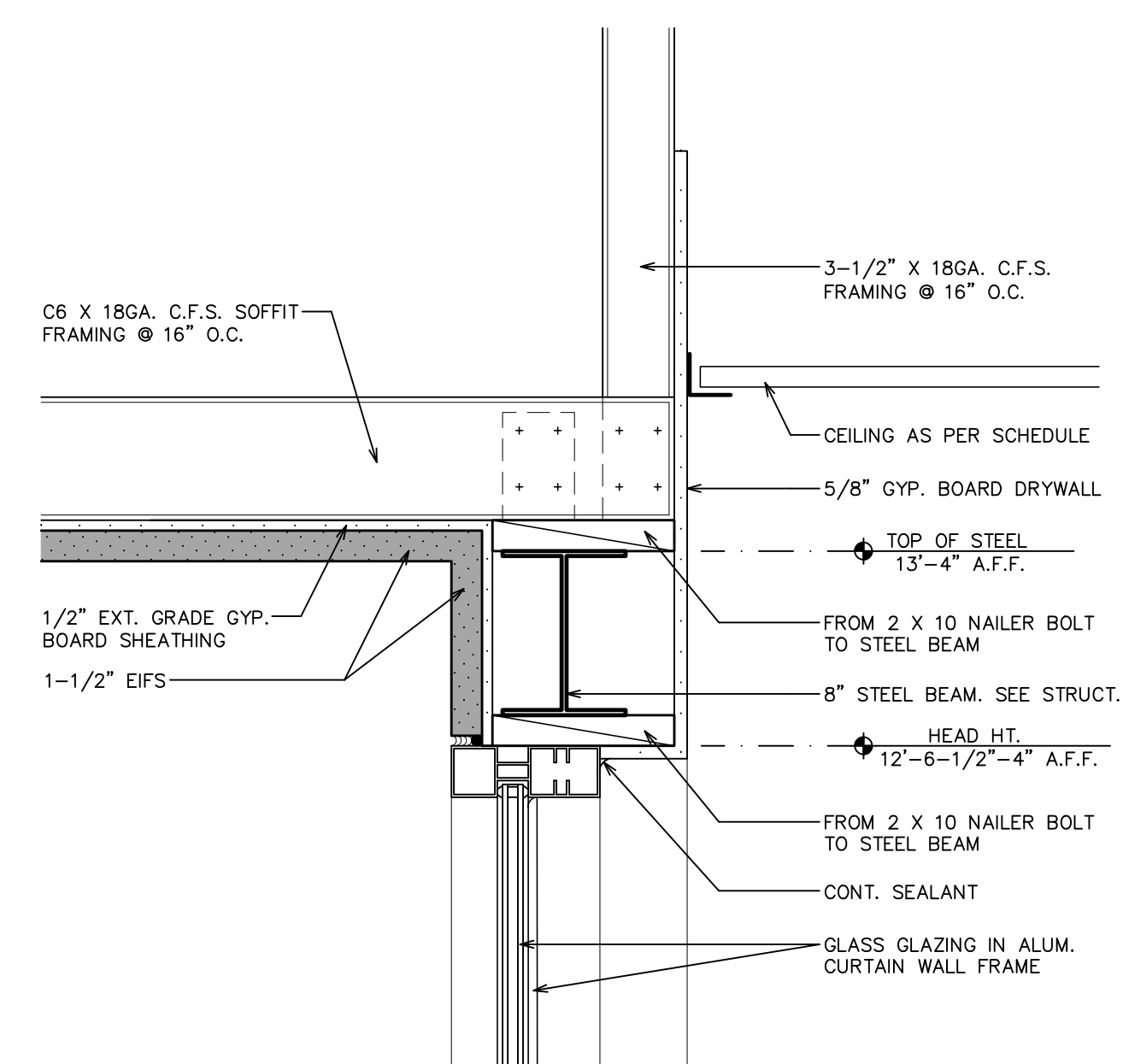
SHEET TRANSVERSE BUILDING SECTION * DETAILS
 TITLE:
 NEW MEDICAL OFFICE BUILDING
 FOR:
DOCTORS MEMORIAL HOSPITAL
 2600 HOSPITAL DR. BONIFAY, FLORIDA

JOB NUMBER: M-2022-03
 DATE: JULY 19, 2024
 DRAWN BY: C.L.D.
 CHECKED BY: P.A.D., JR.

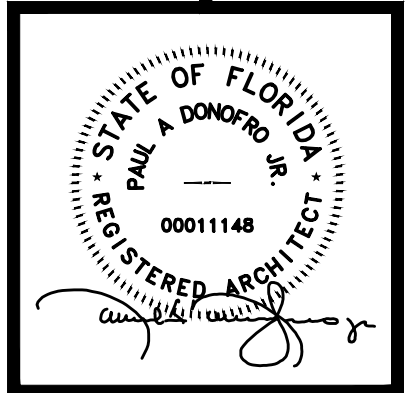
SHEET No.
A-5.1



1
A-5.2
TRANSVERSE BUILDING SECTION
1/4" = 1'-0"

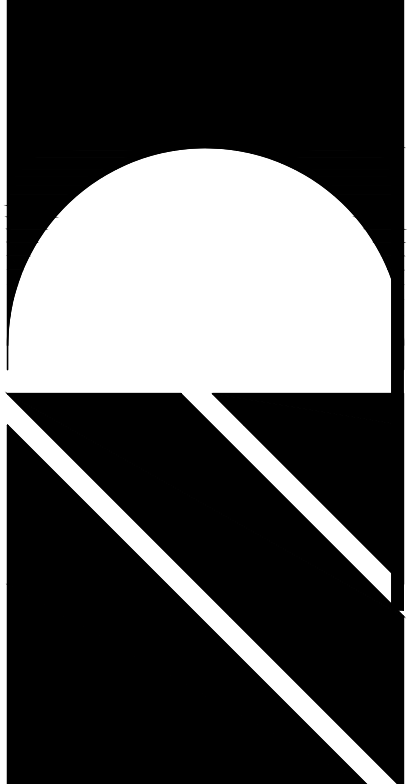


2
A-5.2
DETAIL
1-1/2" = 1'-0"



THIS DRAWING & SPECIFICATIONS ARE THE PROPERTY OF DONOFRO ARCHITECTS, P.A. ANY REPRODUCTION OR OTHER USE OF THIS DRAWING WITHOUT THE WRITTEN PERMISSION OF DONOFRO ARCHITECTS, P.A. IS PROHIBITED AND WILL BE SUBJECT TO LEGAL ACTION.
DONOFRO ARCHITECTS

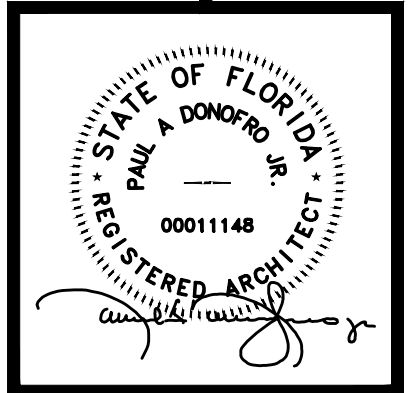
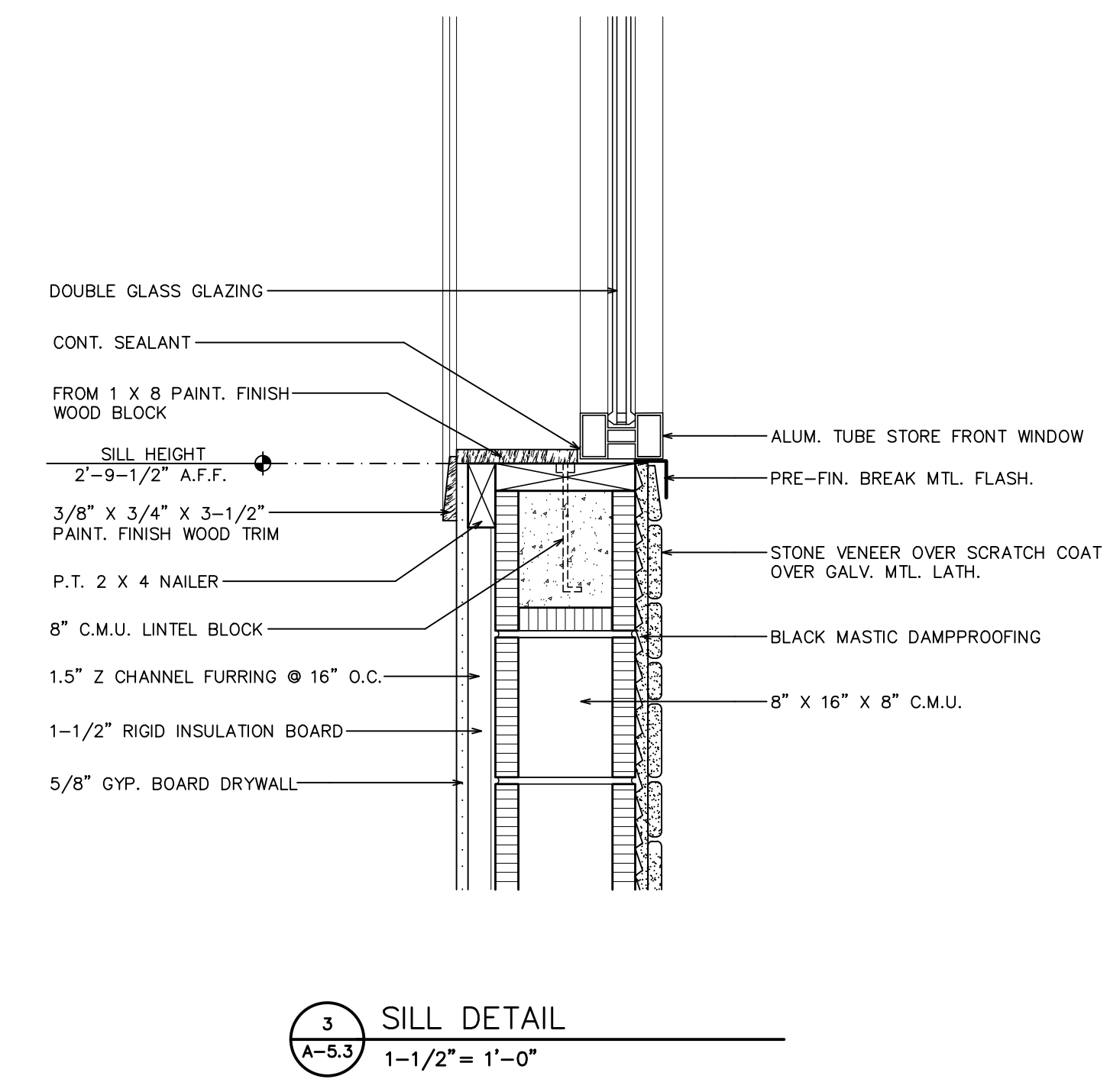
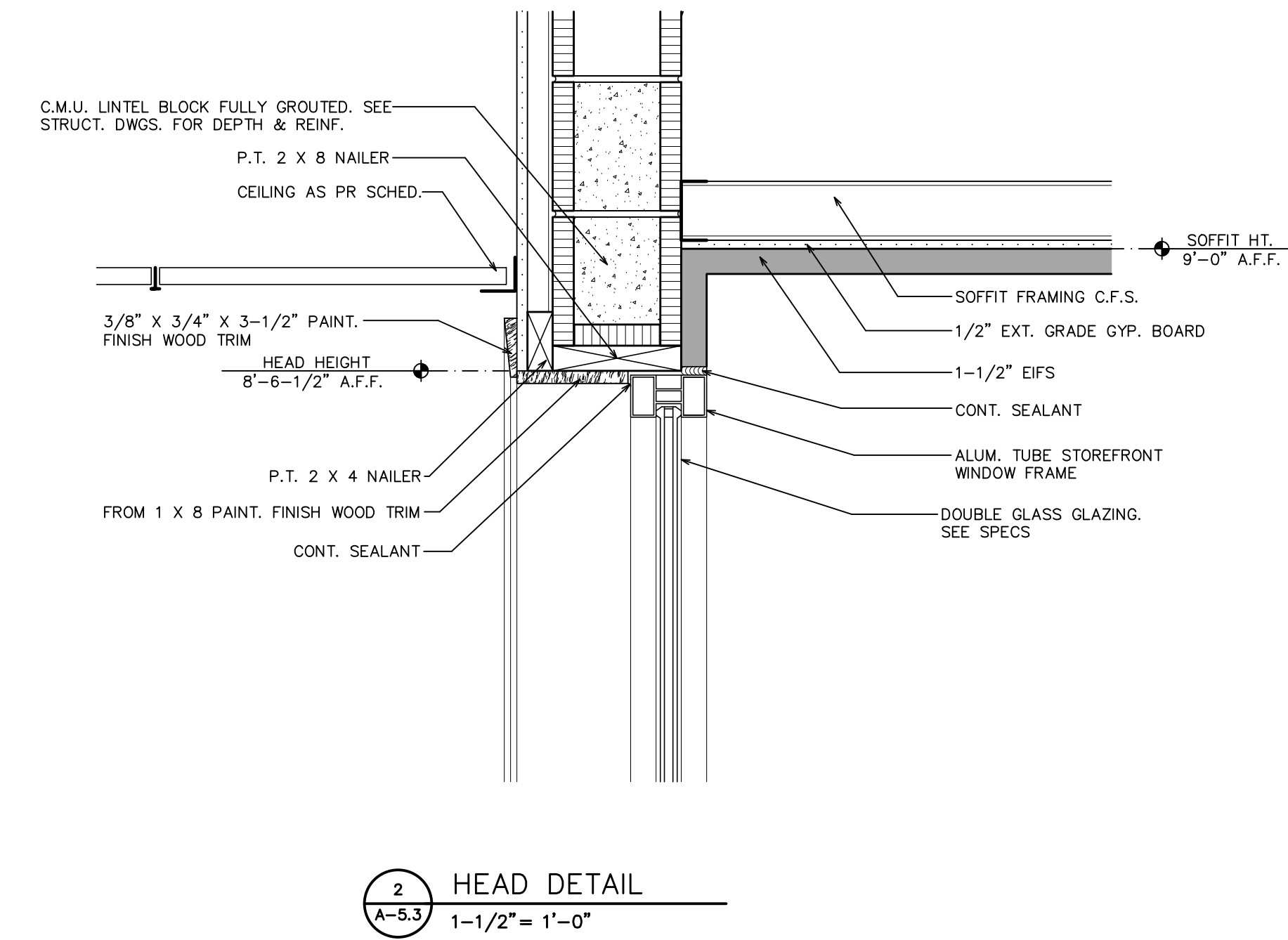
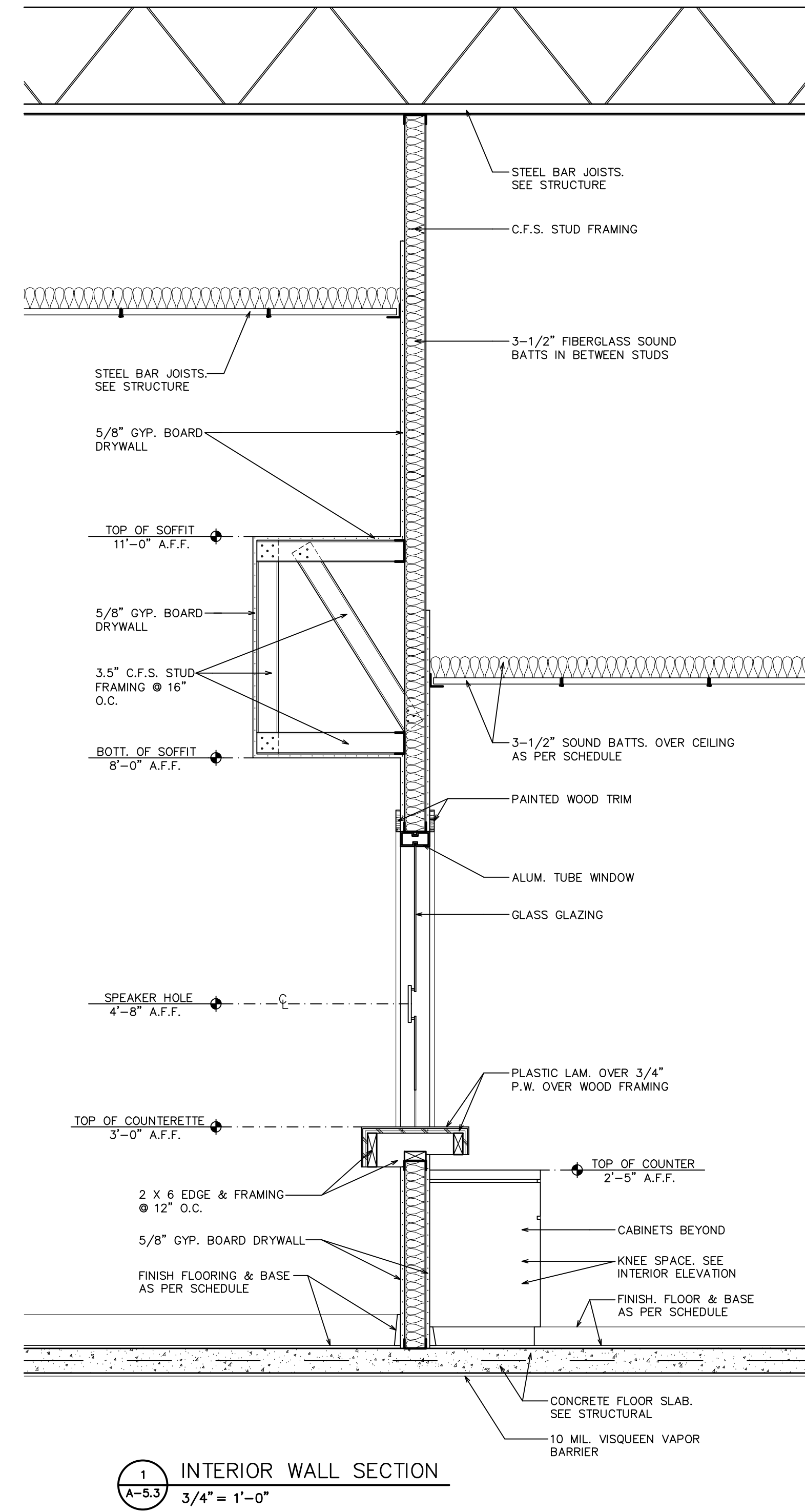
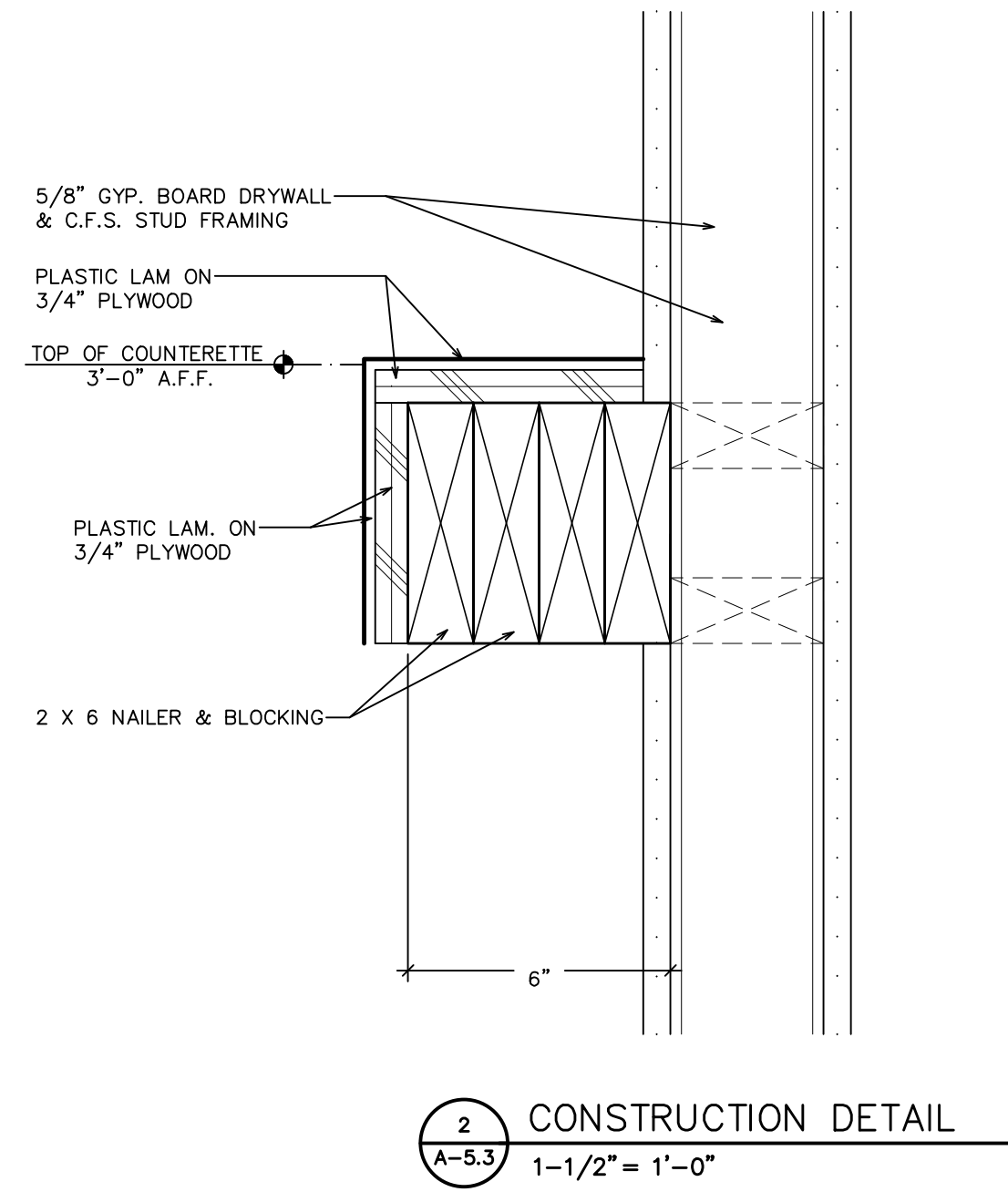
DONOFRO ARCHITECTS
P.O. BOX 861
MARIANNA, FL 32447
OFFICE: (850) 482-5261
2910 CALEDONIA ST.
MARIANNA, FL 32446
FAX: (850) 482-5261



SHEET TRANSVERSE BUILDING SECTION * DETAILS
TITLE:
NEW MEDICAL OFFICE BUILDING
FOR:
DOCTORS MEMORIAL HOSPITAL
2800 HOSPITAL DR. BONIFAY, FLORIDA

JOB NUMBER: M-2022-03
DATE: JULY 19, 2024
DRAWN BY: C.L.D.
CHECKED BY: P.A.D., JR.

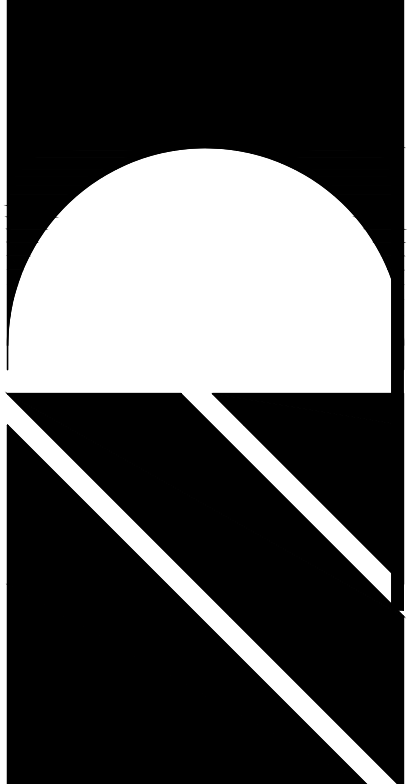
SHEET No.
A-5.2



THIS DRAWING & EVERY PART THEREOF IS THE PROPERTY OF DONOFRO ARCHITECTS, P.A. NO PART OF THIS DRAWING IS TO BE REPRODUCED OR TRANSMITTED IN ANY FORM OR BY ANY MEANS, ELECTRONIC OR MECHANICAL, WITHOUT THE WRITTEN PERMISSION OF DONOFRO ARCHITECTS, P.A. SUBJECT TO LEGAL ACTION.

DONOFRO ARCHITECTS

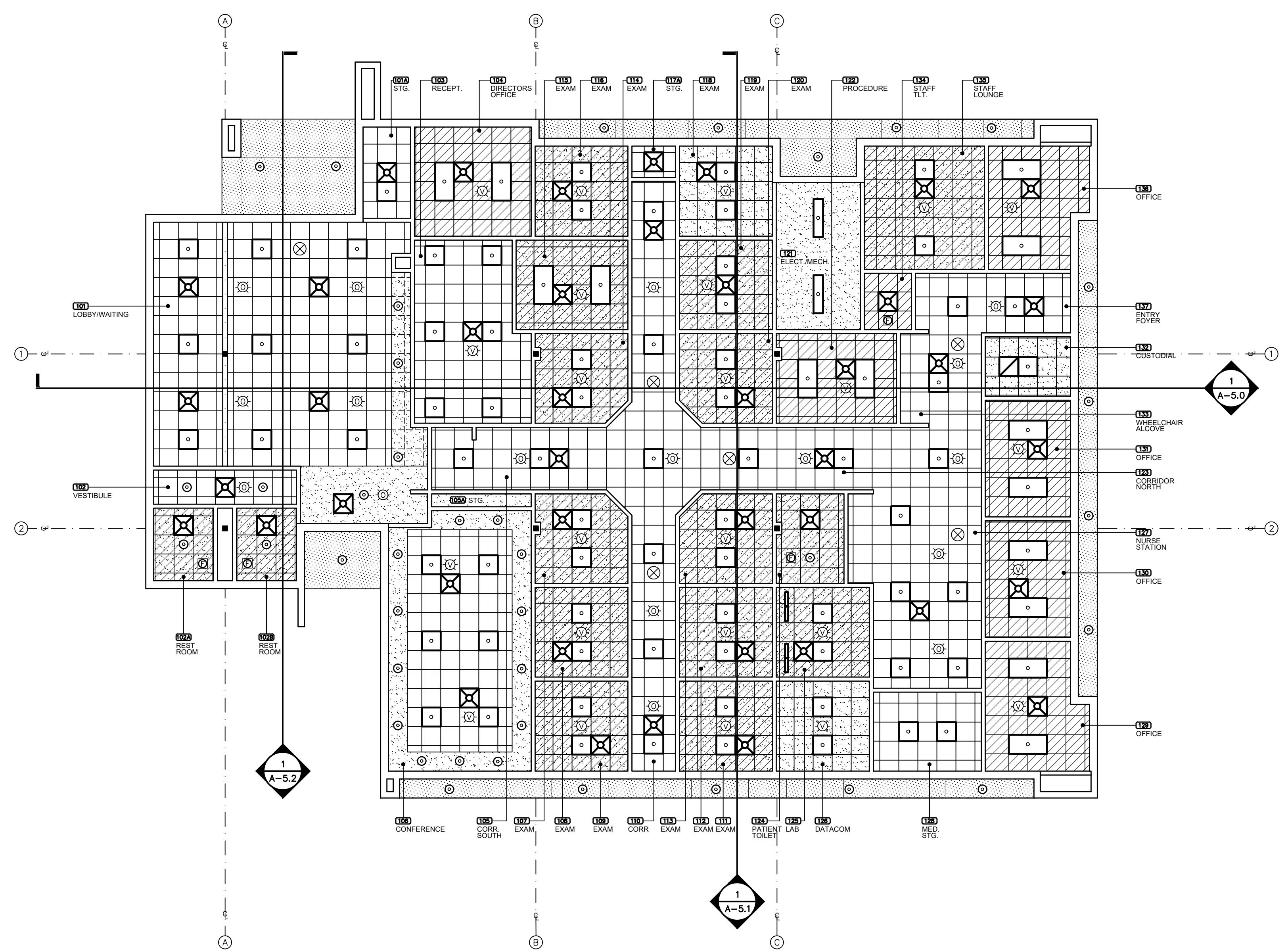
DONOFRO ARCHITECTS
 2910 CALEDONIA ST.
 MARIANNA, FL 32446
 OFFICE: (850) 482-5261
 P.O. BOX 861
 MARIANNA, FL 32447
 FAX: (850) 482-8609



SHEET TITLE: INTERIOR WALL SECTION * DETAILS
 TITLE: NEW MEDICAL OFFICE BUILDING
 FOR: DOCTORS MEMORIAL HOSPITAL
 2600 HOSPITAL DR. BONIFAY, FLORIDA

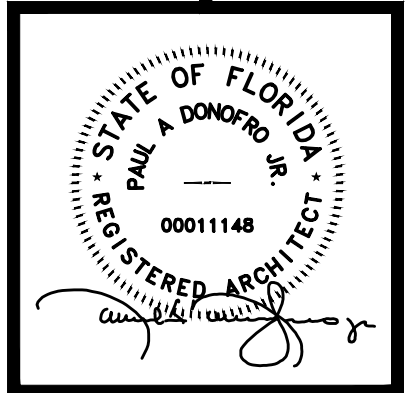
JOB NUMBER: M-2022-03
 DATE: JULY 19, 2024
 DRAWN BY: C.L.D.
 CHECKED BY: P.A.D., JR.

SHEET No.
A-5.3



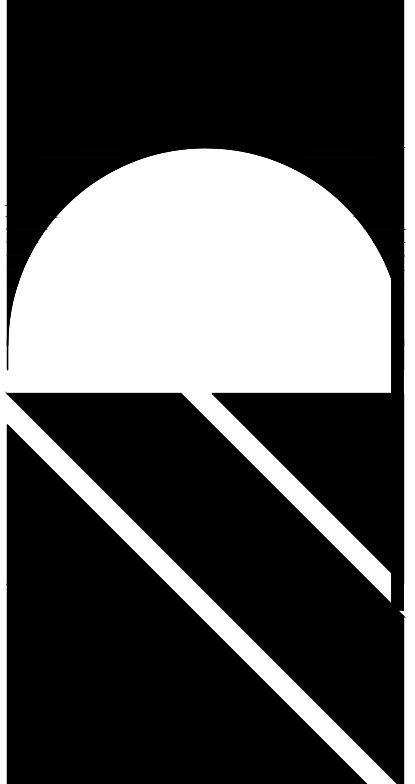
REFLECTED CEILING PLAN
1/8" = 1'-0"
REFLECTED CEILING PLAN LEGEND

	INDICATES NEW 2' X 2' SUSPENDED MTL. GRID & ACOUSTICAL TILE CEILING SYSTEM		LIGHT FIXTURE, SEE ELECTRICAL		CEILING MTD. EXIT LIGHT W/ DIRECTIONAL ARROWS & BATTERY BACK UP. SEE ELECT.
	INDICATES NEW 2' X 2' SUSPENDED MTL. GRID & VINYL COVERED GYP. BOARD TILE CEILING SYSTEM		LIGHT FIXTURE, SEE ELECTRICAL		CEILING MTD. EXIT LIGHT W/ BATTERY BACK UP. SEE ELECT.
	INDICATE'S NEW SUSPENDED MTL. GRID & ACOUST. TILE CEILING SYSTEM W/ 3-1/2" FIBERGLASS SOUND BATT INSULATION ON TOP OF TILE		LIGHT FIXTURE, SEE ELECTRICAL		CEILING MTD. FIRE ALARM SYSTEM AUTOMATIC SMOKE DETECTOR. SEE ELECT. DWGS
	INDICATE'S NEW SUSP. MTL. GRID & VINYL COV. GYP BOARD TILE CEILING SYSTEM W/ 3-1/2" FIBERGLASS SOUND BATT INSULATION ON TOP OF TILE		LIGHT FIXTURE, SEE ELECTRICAL		CEILING MTD. AUTOMATIC HEAT DETECTOR. SEE ELECT. DWGS.
	NEW 5/8" PAINTED GYP. BOARD CEILING		HVAC DIFFUSERS, SEE HVAC PLAN		
	EIFS SOFFIT		RETURN AIR, SEE HVAC PLAN		
	NEW BULKHEAD		EXHAUST FAN, SEE HVAC PLAN		
	ROOM FINISH SCHEDULE REFERENCE SYMBOL		CLG. MTG. VACANCY SENSOR. SEE ELECT. DWGS		
			CLG. MTG. OCCUPANCY SENSOR. SEE ELECT. DWGS		



THIS DRAWING & EVERY PART THEREOF IS THE PROPERTY OF DONOFRO ARCHITECTS, P.A. NO PART OF THIS DRAWING IS TO BE REPRODUCED OR TRANSMITTED IN ANY FORM OR BY ANY MEANS, ELECTRONIC OR MECHANICAL, WITHOUT THE WRITTEN PERMISSION OF DONOFRO ARCHITECTS, P.A. SUBJECT TO LEGAL ACTION.

DONOFRO ARCHITECTS
 P.O. BOX 861
 MARIANNA, FL 32447
 OFFICE: (850) 482-5261
 FAX: (850) 482-8609



SHEET REFLECTED CEILING PLAN * LEGEND
 TITLE:
 NEW MEDICAL OFFICE BUILDING
 FOR:
DOCTORS MEMORIAL HOSPITAL
 2800 HOSPITAL DR. BONIFAY, FLORIDA

JOB NUMBER: M-2022-03
 DATE: JULY 19, 2024
 DRAWN BY: C.L.D.
 CHECKED BY: P.A.D., JR.

SHEET No.
A-6.0