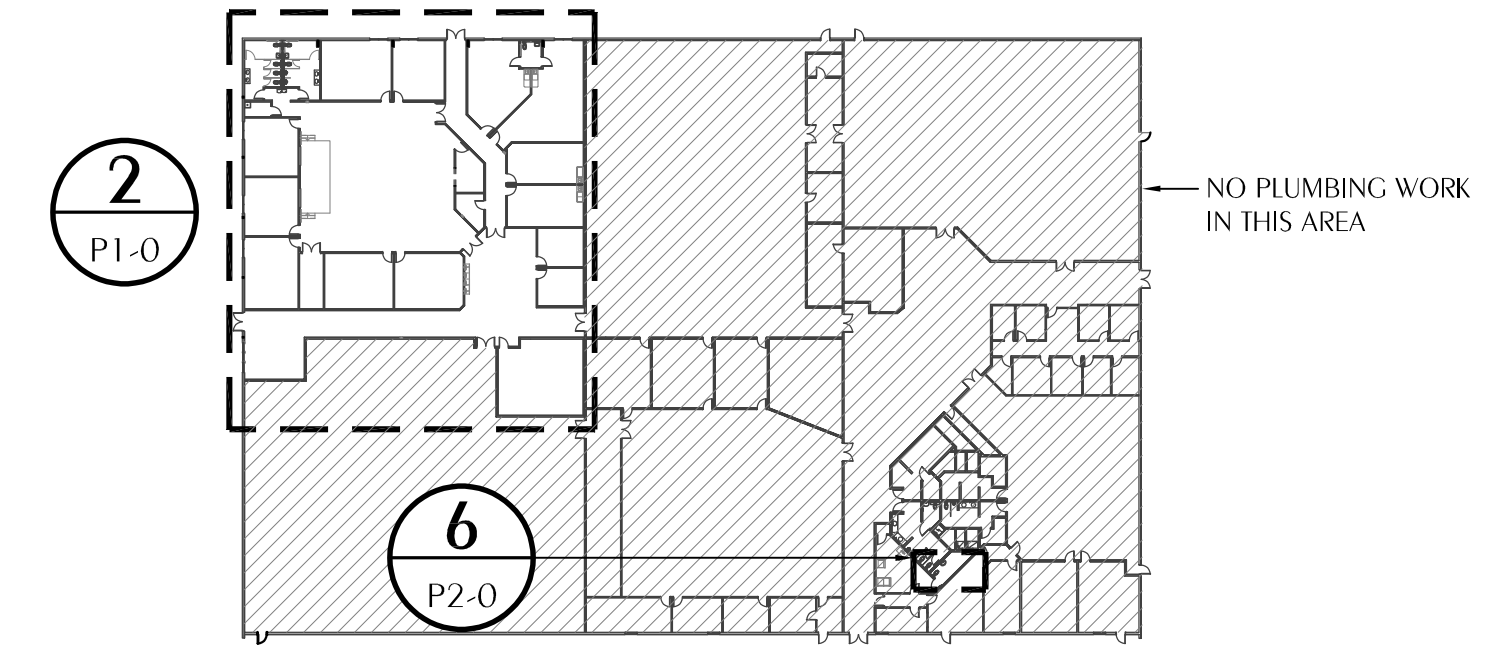


2 PLUMBING PLAN
 P1-0 SCALE: 1/8"=1'-0"

PLUMBING LEGEND

- WASTE PIPING, SIZED AS SHOWN.
- P-TRAP
- - - WASTE VENT PIPING, SIZED AS SHOWN. SEE 'SOIL AND VENT RISER DIAGRAM' ON SHEET P3-0.
- - - COLD WATER PIPING, SIZED AS SHOWN.
- - - HOT WATER PIPING, SIZED AS SHOWN.
- - - HOT WATER RETURN PIPING, SIZED AS SHOWN.
- BALL VALVE FOR SHUT-OFF SERVICE
- ⌵ CHECK VALVE.
- ⊕ BALANCING VALVE, TOUR ANDERSSON STAD OR APPROVED EQUIVALENT. PROVIDE PIPE UNION ON EACH SIDE OF VALVE.
- PIPING TURNED UP
- PIPING TURNED DOWN
- PIPING TURNED DOWN
- FPWH/VB 3/4" FREEZEPROOF WALL HYDRANT WITH VACUUM BREAKER.
- FCO FLOOR CLEANOUT.
- WCO WALL CLEANOUT
- GCO GRADE LEVEL CLEANOUT. SEE 'GRADE CLEAN OUT INSTALLATION DETAIL' ON SHEET P2-0.
- FD FLOOR DRAIN. OUTLET SIZE AS SHOWN.
- CW COLD WATER
- HW HOT WATER
- EW#-# ELECTRIC WATER HEATER. SEE SCHEDULE AND 'ELECTRIC WATER HEATER INSTALLATION DETAIL' ON SHEET P2-0.
- CP-# CIRCULATION PUMP. HOT WATER RETURN CIRCULATION PUMP. SEE 'CIRCULATION PUMP SCHEDULE' AND 'ELECTRIC WATER HEATER INSTALLATION DETAIL' ON SHEET P2-0.
- DF-# DRINKING FOUNTAIN. HI-LOW ELECTRIC WATER COOLER WITH BOTTLE FILLING STATION. SEE 'PLUMBING FIXTURE CONNECTION SCHEDULE' ON SHEET P2-0.
- LV-# LAVATORY. WALL OR COUNTER-MOUNTED. SEE 'PLUMBING FIXTURE CONNECTION SCHEDULE' ON SHEET P2-0.
- SK-# SINK. SEE 'PLUMBING FIXTURE CONNECTION SCHEDULE' ON SHEET P2-0.
- UR-# URINAL. SEE 'PLUMBING FIXTURE CONNECTION SCHEDULE' ON SHEET P2-0.
- WC-# WATER CLOSET. SEE 'PLUMBING FIXTURE CONNECTION SCHEDULE' ON SHEET P2-0.
- VTR VENT THROUGH ROOF. SIZED AS SHOWN.
- DN DOWN
- A.F.F. ABOVE FINISHED FLOOR



1 KEY PLAN
 P1-0 SCALE: NONE

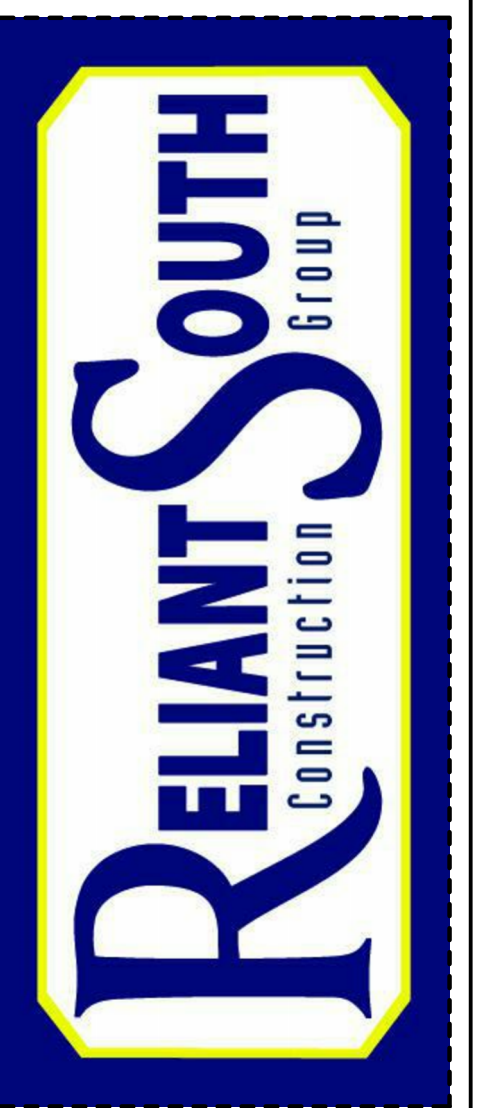
Steven L. Day,
 State of Florida,
 Professional Engineer,
 License No. 52607

This item has been
 digitally signed and
 sealed by Steven L. Day
 on the date indicated
 here.
 3/12/2025
 Printed copies of this
 document are not
 considered signed and
 sealed and the signature
 must be verified on any
 electronic copies.

3/12/2025

WATFORD ENGINEERING
 4452 Clinton Street Markanna, Florida 32446
 2449 Moores Mill Road, Suite 100, Auburn, AL 36830

Florida CA Number: 27925
 Steven L. Day, PE
 Florida License Number: 52607
 850.526.3447
 Project Number: 2024-085
 Checked By: SLD



Design - Build Contractor
 230 West 5th Street
 Panama City, FL 32401
 (850) 215-5540

**LYNN HAVEN
 METHODIST CHURCH**
 3203 MINNESOTA AVENUE
 LYNN HAVEN, FL 32444

REVISION		
#	DESCRIPTION	DATE

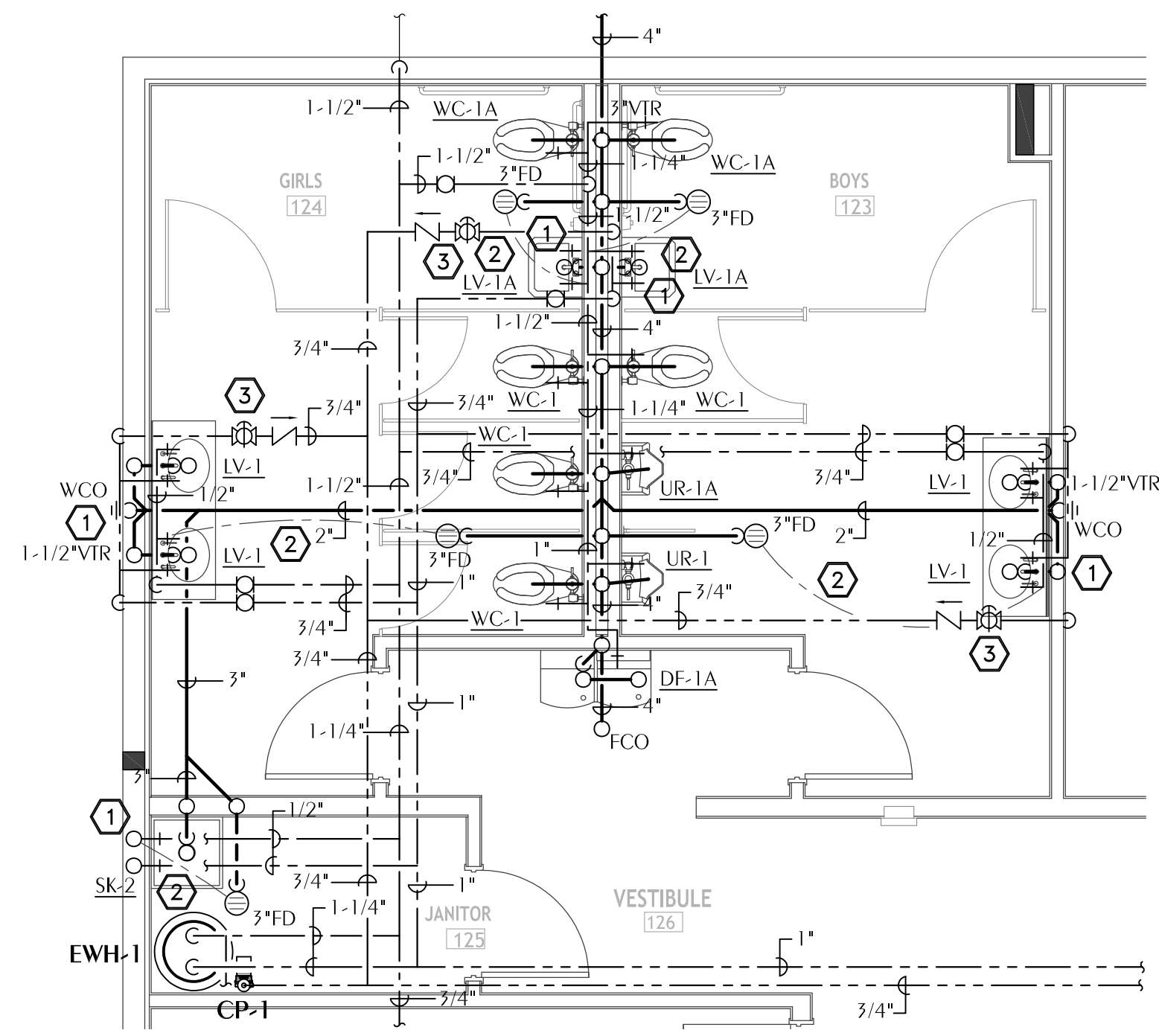
Designed By: **S.DAY**
 Drawn By: **S.DAY**

**OVERALL
 PLUMBING
 PLAN**

P1-0

03/10/2025 10:00:00 AM

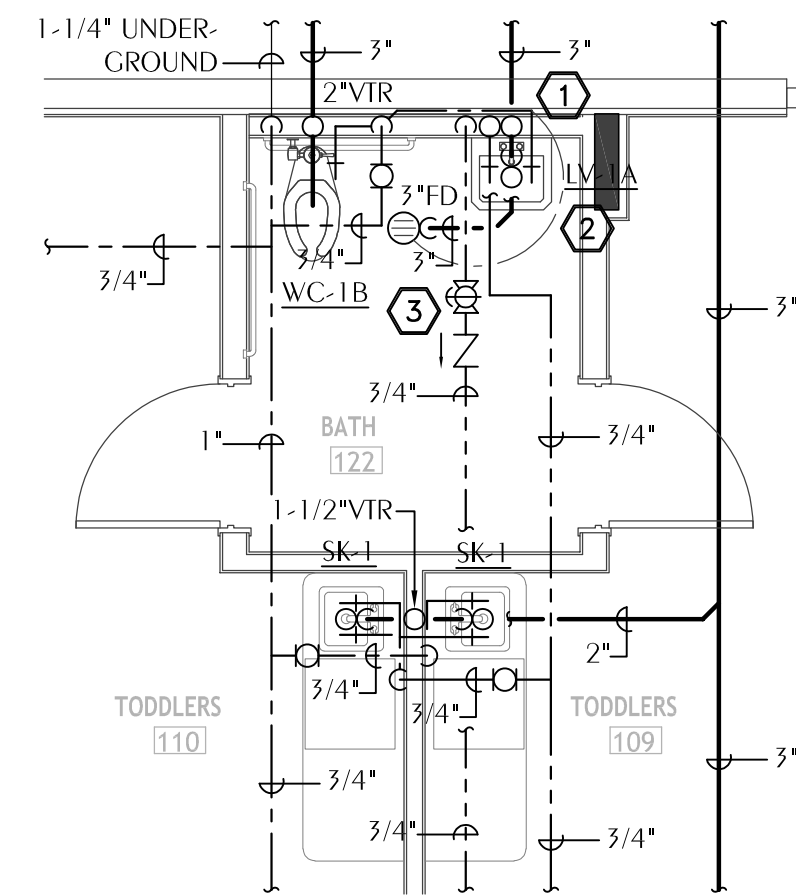
No Part Of These Documents May Be Reproduced, Stored In a Retrieval System, OR Transmitted In Any Form Or By Any Means, Electronic, Mechanical, Photocopying, Recording, Or Otherwise, Without The Prior Written Permission Of: ReliantSouth Construction Group.



3 ENLARGED PLUMBING PLAN
SCALE: 1/4"=1'-0"

SHEET NOTES

1. AUTOMATIC TRAP PRIMER. INSTALL ON COLD WATER SUPPLY PER MANUFACTURER'S RECOMMENDATIONS AND PROVIDE ACCESS PANEL IF INSTALLED IN WALL. SLOPE DISTRIBUTION UNIT AS REQUIRED.
2. ROUTE 1/2" TUBING FROM TRAP PRIMER DISTRIBUTION UNIT UNDER SLAB. SLOPE TOWARDS FLOOR DRAIN AND CONNECT TO TRAP PER MANUFACTURER'S RECOMMENDATIONS.
3. BALANCE FOR 0.5 GPM
4. BALANCE FOR 1.0 GPM
5. EXISTING PLUMBING FIXTURE TO REMAIN.
6. REMOVE EXISTING JUVENILE-HEIGHT WATER CLOSET AND INSTALL NEW INDICATED WATER CLOSET IN ITS PLACE. CONNECT TO EXISTING WATER SUPPLY AND SANITARY. WITH OWNERS APPROVAL, THIS FIXTURE MAY BE REINSTALLED IN PLACE OF FIXTURE WC-1B.

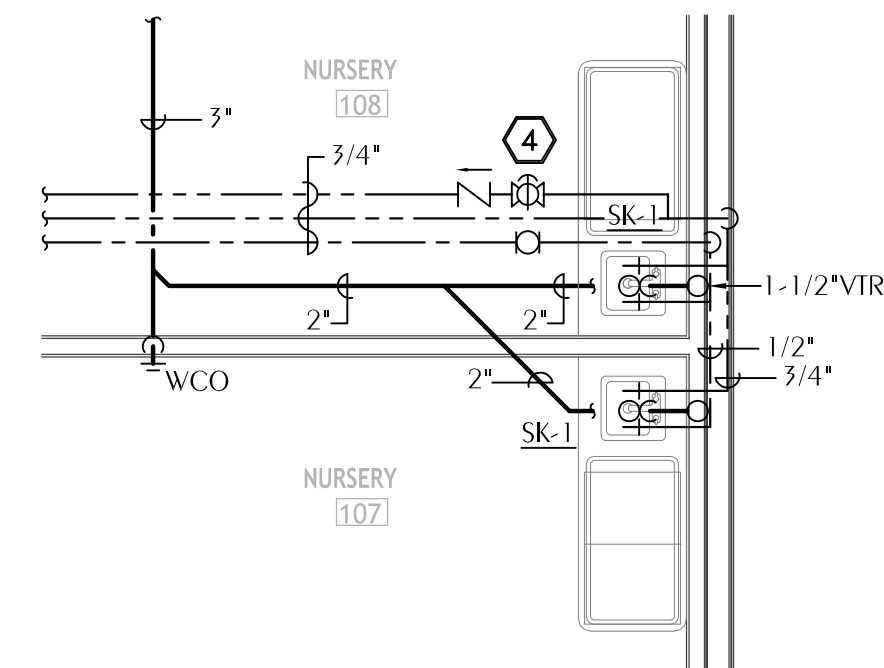


4 ENLARGED PLUMBING PLAN
SCALE: 1/4"=1'-0"

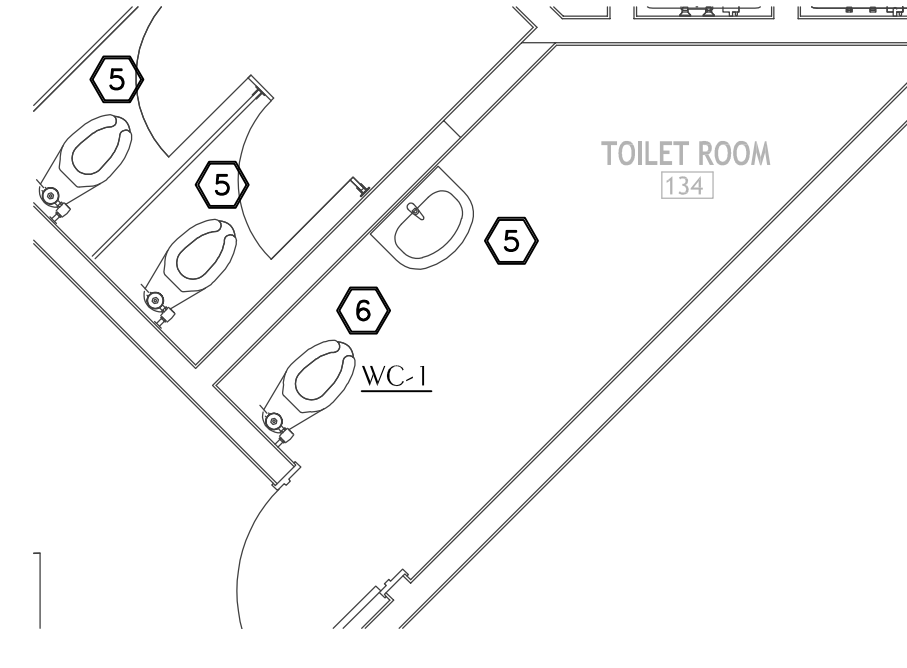
PLUMBING FIXTURE CONNECTION SCHEDULE

MARK #	FIXTURE TYPE	CONNECTIONS			REMARKS
		WASTE	CW	HW	
WC-1	FLUSH TANK WATER CLOSET	3"	1/2"	-	VITREOUS CHINA, FLOOR-MOUNTED, ELONGATED BOWL, PRESSURE ASSISTED FLUSH, 1.28 GPF WITH OPEN-FRONT SEAT WITHOUT COVER.
WC-1A	FLUSH TANK WATER CLOSET (HC)	3"	1/2"	-	SAME AS WC-1, ADA COMPLIANT.
WC-1B	FLUSH TANK WATER CLOSET (JUVENILE HC)	3"	1/2"	-	SAME AS WC-1A, SEAT HEIGHT SHALL BE 11 TO 12 INCHES FOR COMPLIANCE WITH 2023 FLORIDA BUILDING CODE, ACCESSIBILITY PARAGRAPH 604.9 FOR AGES 3 AND 4.
UR-1	WALL-MOUNTED URINAL (HC)	2"	3/4"	-	VITREOUS CHINA, WALL-MOUNTED, TOP SPUD, 0.25 GPF WASHOUT URINAL WITH EXTENDED RIM. PROVIDE WITH MANUAL FLUSH VALVE AND CARRIER.
UR-1A	WALL-MOUNTED URINAL (HC)	2"	3/4"	-	SAME AS UR-1 EXCEPT INSTALLED FOR ADA COMPLIANCE.
LV-1	COUNTERTOP LAVATORY	1-1/4" x 1-1/2"	1/2"	1/2"	VITREOUS CHINA, DROP-IN, FRONT OVERFLOW, WITH CENTERSET ADA COMPLIANT, SINGLE-LEVER FAUCET, P-TRAP AND GRID STRAINER. PROVIDE WITH POINT-OF-USE MIXING VALVE. MOUNT BELOW LAVATORY AND ADJUST NOT TO EXCEED 110 DEGREES F.
LV-1A	WALL MOUNTED LAVATORY (HC)	1-1/4" x 1-1/2"	1/2"	1/2"	VITREOUS CHINA, WITH CONCEALED ARMS SUPPORT AND CENTERSET ADA COMPLIANT, SINGLE-LEVER FAUCET, INSULATED OFFSET P-TRAP AND GRID STRAINER. PROVIDE WITH POINT OF USE MIXING VALVE, MOUNT BELOW FIXTURE AND ADJUST TO NOT EXCEED 110 DEGREES F. INSULATE ALL EXPOSED WATER SUPPLIES UNDER LAVATORY.
SK-1	COUNTER-MOUNTED SINGLE-BOWL SINK	1-1/2"	1/2"	1/2"	15"x15" STAINLESS STEEL, LEDGE-TYPE, DRILLED FOR SINGLE-HOE FAUCET. 6-1/8" DEEP. PROVIDE WITH 0.5 GPM, SINGLE-HOLE GOOSENECK FAUCET, AND CUP STRAINER. PROVIDE WITH POINT-OF-USE MIXING VALVE INSIDE CABINET BELOW SINK AND ADJUST NOT TO EXCEED 110 DEGREES F.
SK-2	JANITOR'S MOP SINK	3"	1/2"	1/2"	24"x24"x12" DEEP TERRAZZO WITH DROP-FRONT WITH STAINLESS STEEL INTEGRAL CAST CAP, GRID STRAINER, SPLASH GUARDS, AND WALL-MOUNTED FAUCET WITH VACUUM BREAKER. PROVIDE WITH POINT-OF-USE MIXING VALVE, MOUNT ON WALL AND ADJUST TO NOT EXCEED 110 DEGREES F.
DF-1A	HI-LOW ELECTRIC WATER COOLER, BOTTLE FILLING STATION (HC)	1-1/4"	1/2"	-	SELF-CONTAINED, 8.0 GPH CAPACITY (80 DEGREE F INLET TEMP, 90 DEGREE F AMBIENT, 50 DEGREE F DRINKING WATER TEMP), 5 FULL LOAD AMPS. PROVIDE WITH CARRIER, AND SELF-CLOSING CONTROLS ON THE FRONT.

- (HC) DENOTES FIXTURE TO BE DESIGNED, MANUFACTURED AND MOUNTED FOR HANDICAPPED ACCESSIBILITY.
- COORDINATE ALL FIXTURE SELECTIONS WITH THE OWNER. MANUFACTURERS AND MODEL NUMBERS LISTED ABOVE ARE FOR REFERENCE.
- PROVIDE MANUFACTURERS AND MODEL NUMBERS LISTED ABOVE OR APPROVED EQUIVALENTS IN STRICT ACCORDANCE WITH ARCHITECTURAL INTERIOR AND RESTROOM ELEVATIONS FOR PROPER MOUNTING/FIXTURE HEIGHTS. ALL FIXTURES AND ADDITIONAL COMPONENTS/FITTINGS REQUIRED FOR SPECIFIC HEIGHT INSTALLATION SHALL BE COORDINATED/VERIFIED WITH THE MOST CURRENT ARCHITECTURAL DRAWINGS PRIOR TO ORDERING OR ROUGH-IN.



5 ENLARGED PLUMBING PLAN
SCALE: 1/4"=1'-0"



6 ENLARGED PLUMBING PLAN
SCALE: 1/4"=1'-0"

CIRCULATION PUMP SCHEDULE

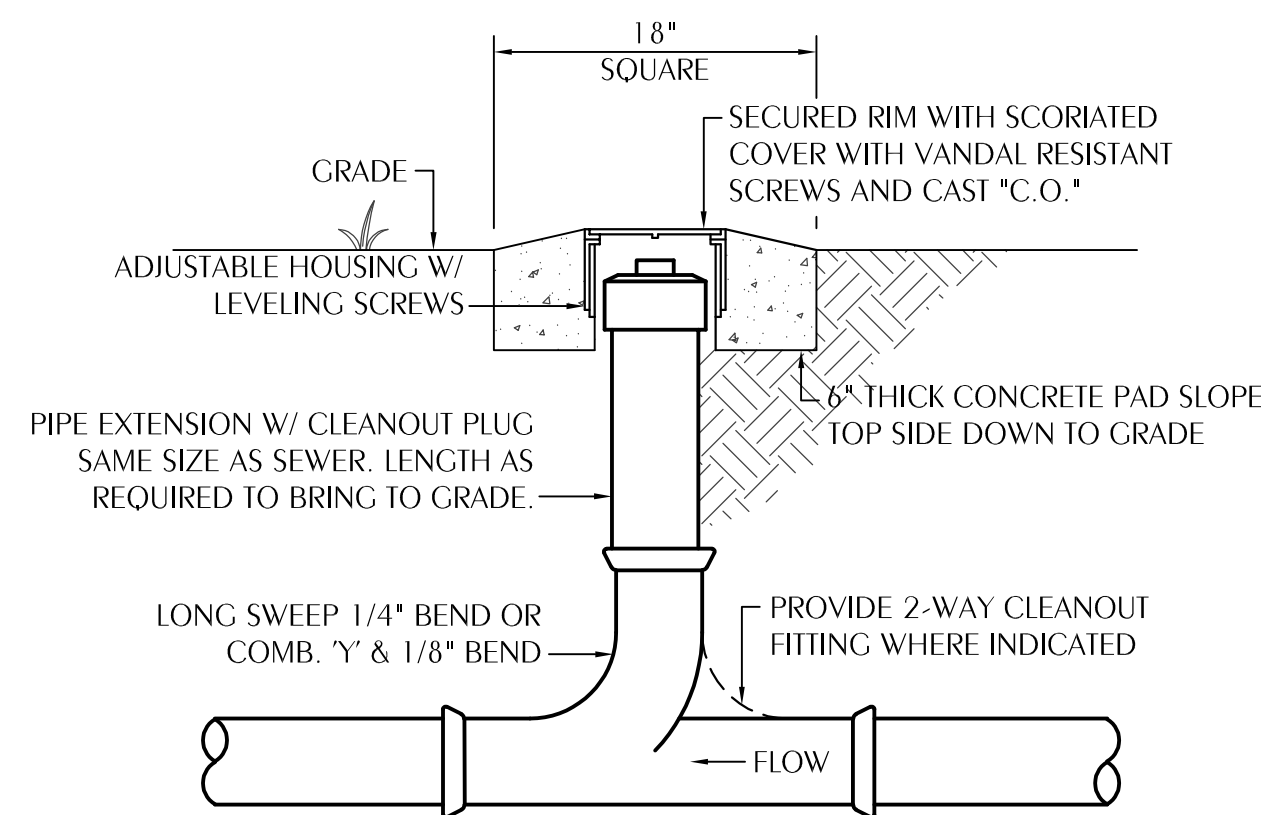
MARK	SERVICE	TYPE	PERFORMANCE DATA				ELECTRICAL DATA				REMARKS
			CAPACITY - GPM	HEAD FT H ₂ O	MINIMUM EFFICIENCY-%	MAXIMUM SPEED - RPM	APPROXIMATE MOTOR H.P.	VOLTS	PHASE	HERTZ	
CP-1	HOT WATER	1	3.0	9.0	-	3250	1/25	120	1	60	2, 3

1. CARTRIDGE CIRCULATOR, BRONZE FITTED FOR POTABLE WATER
2. INSTALL PUMP AND ALL ACCESSORIES FOR EASY MAINTENANCE ACCESS.
3. BASIS OF DESIGN - TACO MODEL 007 OR APPROVED EQUIVALENT.

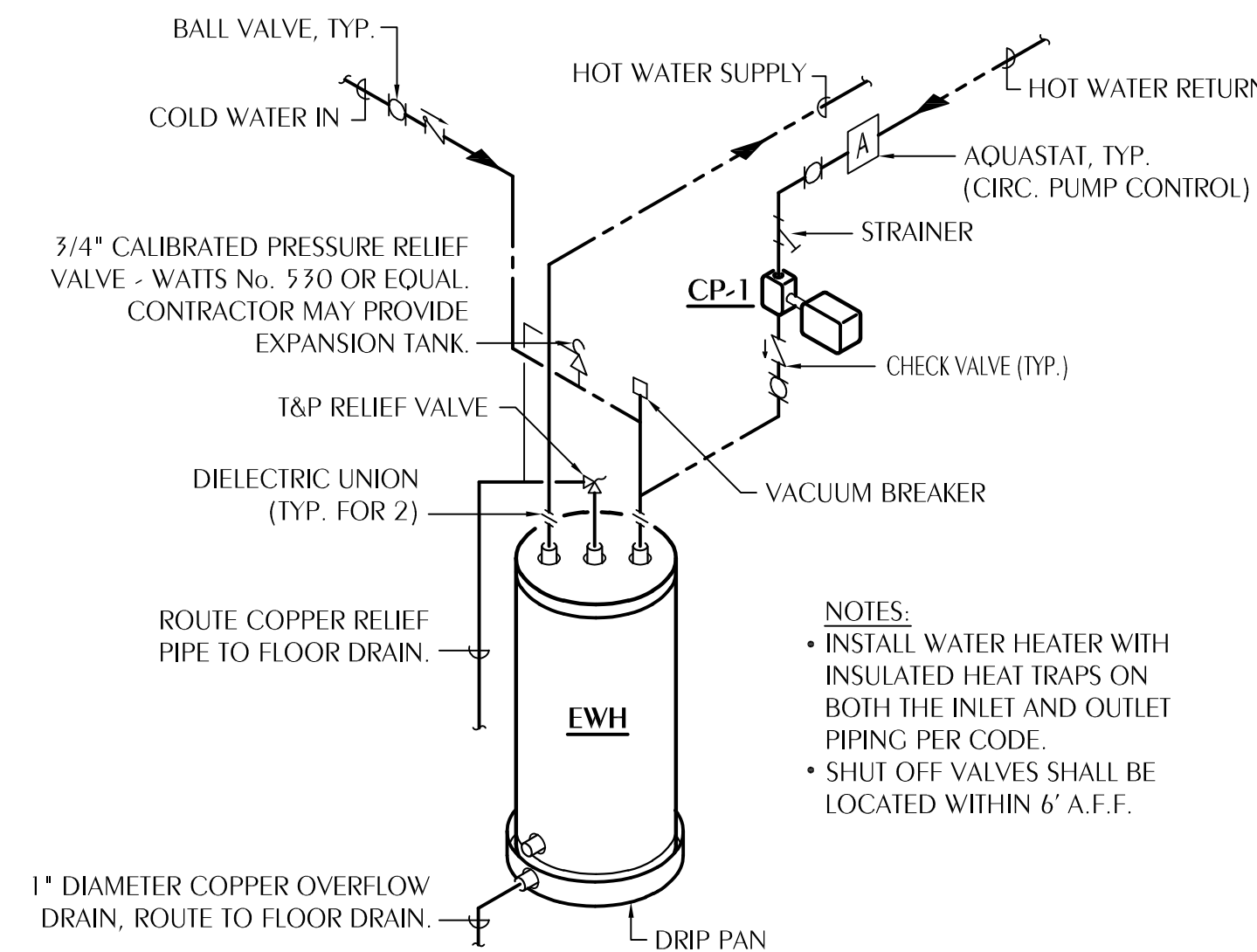
ELECTRIC WATER HEATER SCHEDULE

MARK	GAL	ELECTRICAL DATA			REMARKS	
		VOLTS	PHASE	HERTZ		
EWH-1	50	208	1	60	4.5	RHEEM ELD52-FTB OR APPROVED EQUIVALENT

PROVIDE WITH NON-SIMULTANEOUS WIRING.



GRADE CLEAN OUT INSTALLATION DETAIL
NOT TO SCALE



ELECTRIC WATER HEATER INSTALLATION DETAIL
NOT TO SCALE



Design - Build Contractor

230 West 5th Street
Panama City, FL 32401
(850) 215-5540

**LYNN HAVEN
METHODIST CHURCH**
3203 MINNESOTA AVENUE
LYNN HAVEN, FL 32444

REVISION

#	DESCRIPTION	DATE

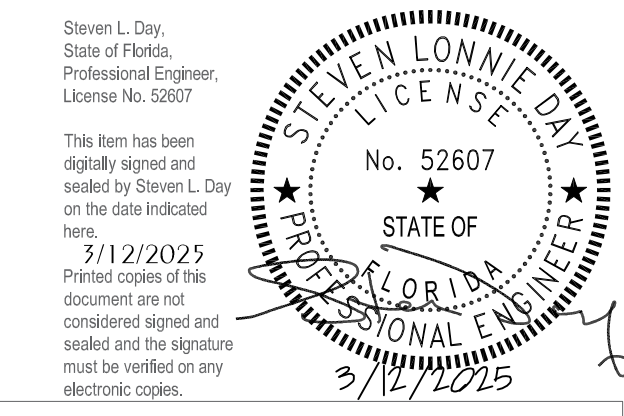
Designed By:
S.DAY

Drawn By:
S.DAY

**ENLARGED
PLUMBING
PLANS,
SCHEDULES,
AND DETAILS**

P2-0

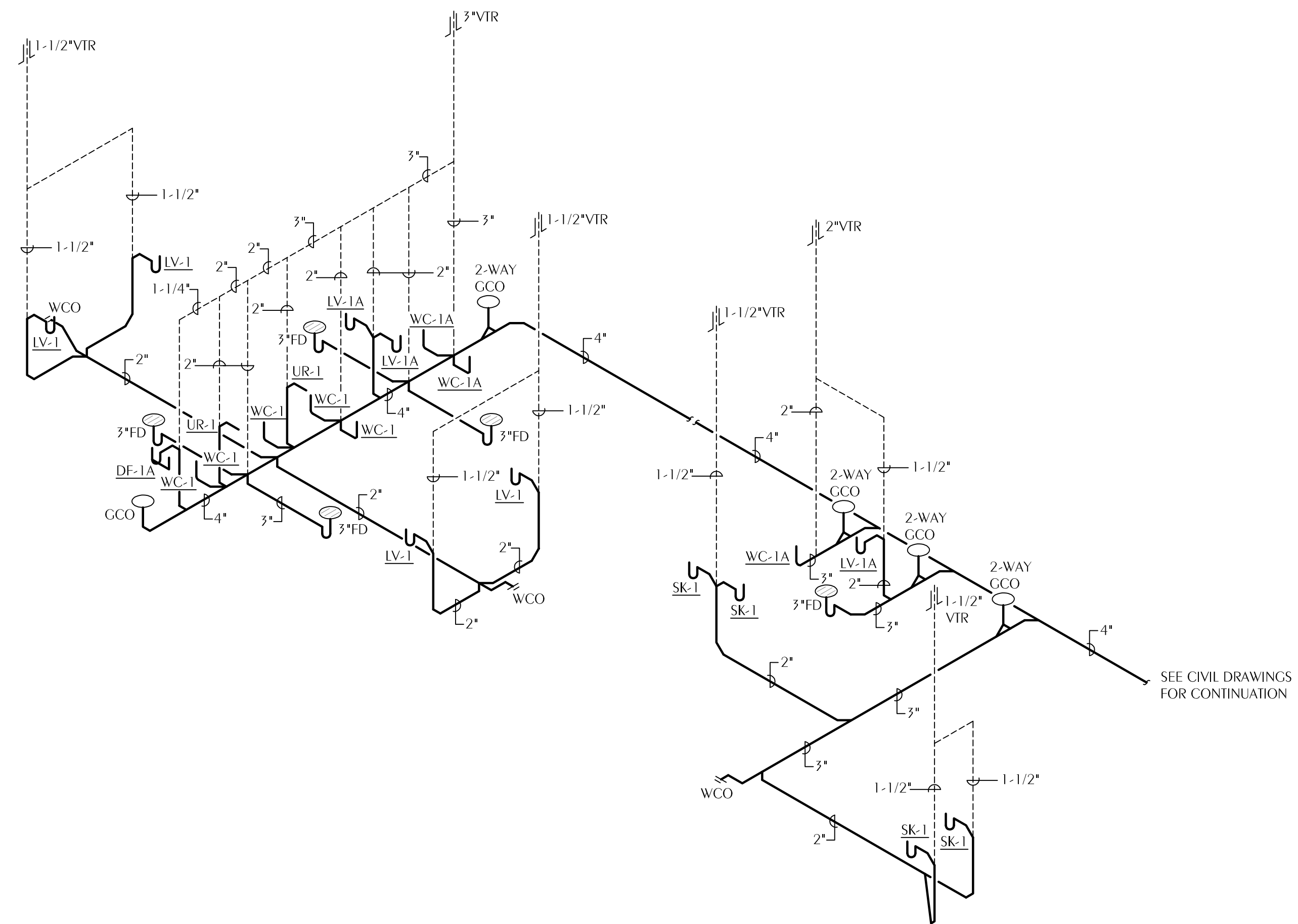
03/10/2025 10:00:00 AM



No Part Of These Documents May Be Reproduced, Stored In a Retrieval System, Or Transmitted In Any Form Or By Any Means, Electronic, Mechanical, Photocopying, Recording, Or Otherwise, Without The Prior Written Permission Of: ReliantSouth Construction Group.

GENERAL PLUMBING NOTES

1. THE CONTRACTOR SHALL EXECUTE ALL WORK SO THAT IT PROCEEDS WITH A MINIMUM INTERFERENCE WITH OTHER TRADES.
2. VERIFY EXACT PLUMBING FIXTURE ROUGH-IN AND FINAL HVAC EQUIPMENT REQUIREMENTS IN THE FIELD.
3. DRAIN, WASTE, AND VENT PIPING SHALL BE POLYVINYL CHLORIDE (PVC) IN IPS DIMETERS. ASTM D2665 BELOW GRADE. ABOVE GRADE PIPING SHALL BE AS SPECIFIED. NO PVC PIPING WILL BE ALLOWED IN RETURN AIR PLENUMS. SEE MECHANICAL DRAWINGS AND COORDINATE WITH THE MECHANICAL CONTRACTOR IN THE FIELD.
4. DOMESTIC WATER PIPING SHALL BE COPPER ASTM B 88, TYPE K, WITH ANSI B16.18 OR ANSI B16.22 SOLDER JOINT FITTINGS USING SILVER SOLDER AND FLUX CONTAINING NOT MORE THAN 0.2 PERCENT LEAD, OR WITH ANSI B16.26 FLARED JOINT FITTINGS. ASTM B 88, TYPE L MAY BE PROVIDED FOR ABOVEGROUND PIPING. CONTRACTOR MAY PROVIDE PEX PIPING SYSTEM IN LIEU OF COPPER WITH OWNER'S WRITTEN PERMISSION. PEX SHALL BE INCREASED ONE PIPE DIAMETER FOR LOSSES THROUGH FITTINGS.
5. THE CONTRACTOR SHALL BE RESPONSIBLE FOR ALL FINAL CONNECTIONS TO PLUMBING FIXTURES. THIS RESPONSIBILITY INCLUDES, BUT IS NOT LIMITED TO, FURNISHING AND INSTALLING ALL TRAPS, DRAINS, AND SUPPLIES WITH STOPS. FURNISH AND INSTALL PLUMBING FIXTURES INDICATED OR SPECIFIED, COMPLETE WITH ALL EQUIPMENT, FITTINGS, TRIM AND ACCESSORIES INDICATED OR SPECIFIED. EXPOSED WATER PIPING TO FIXTURES SHALL BE CHROME-PLATED BRASS, IPS. ADJUST WATER FLOW THROUGH ALL FIXTURES TO PROVIDE PROPER FLUSHING ACTION WITH THE LEAST AMOUNT OF WATER. FAUCETS SHALL HAVE UNDERDECK AND/OR ESCUTCHEON PLATES, IF REQUIRED TO STABILIZE FAUCET WITHIN FIXTURE.
6. COORDINATE ROUTING OF WATER SUPPLY, WASTE & VENT PIPING WITH OTHER TRADES.
7. THE PLUMBING CONTRACTOR SHALL COORDINATE WITH THE GENERAL CONTRACTOR AND OTHER TRADES ALL REQUIRED OPENINGS AND EXCAVATIONS.
8. ALL ITEMS PROJECTING THROUGH THE ROOF SHALL BE FLASHED A MINIMUM OF 12" ABOVE THE ROOF. ALL VENTS SHALL BE MINIMUM OF 10 FEET FROM ANY OUTSIDE AIR INTAKE.
9. ACCESS PANEL: WHERE FITTINGS REQUIRING MAINTENANCE OR ISOLATION VALVES ARE LOCATED ABOVE NON-ACCESSIBLE CEILINGS OR SOFFITS (EXAMPLE PLASTER, METAL, OR GYPSUM BOARD), INSTALL AN ALL ALUMINUM CEILING ACCESS DOOR IN CEILING DIRECTLY BELOW EACH SUCH FITTING/VALVE. ACCESS DOORS SHALL BE ALL ALUMINUM CONSTRUCTION AND FASTENERS. PROVIDE ACCESS DOORS FACTORY PRIMED FOR PAINTING. FINISH PAINT WITH TWO COATS ENAMEL AFTER INSTALLATION TO MATCH EXISTING CEILING, SOFFIT, OR WALL.
10. FLOOR DRAIN NOTE: DRAINS SHALL BE SET AT LOW POINTS OF FLOOR WITH EVEN FLOOR SLOPE TO DRAIN. THE PLUMBING CONTRACTOR SHALL REVIEW THE FLOOR SLOPES SHOWN ON THE ARCHITECTURAL AND STRUCTURAL DRAWINGS, AND SHALL COORDINATE DRAIN ELEVATIONS WITH THE GENERAL CONTRACTOR AND THE SLAB INSTALLER.
11. ALL FLOOR DRAINS SHALL HAVE A 6" DEEP SEAL AND TRAPS WITH TRAP PRIMERS AS REQUIRED BY CODE. AN ACCESS PANEL MUST BE INSTALLED IF THE TRAP PRIMER FITTING IS LOCATED INSIDE A WALL OR ABOVE A HARD CEILING. COORDINATE OPENINGS WITH ARCHITECT. CONTRACTOR MAY INSTALL WATER CLOSET FLUSH VALVE OR LAVATORY TYPE PRIMER FITTINGS TO SERVE RESTROOM FLOOR DRAINS. INSTALL IN INCONSPICUOUS LOCATIONS. ALL EXPOSED PRIMER PIPING SHALL TURN BACK INTO FINISHED WALL PRIOR TO DRAIN CONNECTION. EXPOSED PIPING PENETRATIONS THRU FINISHED FLOOR SHALL NOT BE ACCEPTABLE. CONTRACTOR TO ENSURE THAT EACH TRAP PRIMER VALVE IS CLEANED AND FREE OF DEBRIS JUST PRIOR TO PROJECT COMPLETION.
12. PROVIDE STOPS AND SHOCK ABSORBERS IN ACCORDANCE WITH PDI AND ASSE 1010. AN ACCESS PANEL MUST BE INSTALLED IF WATER HAMMER ARRESTOR IS LOCATED INSIDE A WALL OR ABOVE A HARD CEILING. COORDINATE OPENINGS WITH ARCHITECT.
13. PROVIDE AN ACCESS PANEL IF ISOLATION/SHUTOFF VALVE OR FITTING REQUIRING MAINTENANCE IS LOCATED INSIDE A WALL OR ABOVE A HARD CEILING. ALL VALVES/SERVICABLE FITTINGS SHALL BE LOCATED WITHIN REACH OF ACCESS DOOR OR LAY-IN CEILING SYSTEM (18" MAX.). COORDINATE OPENINGS WITH ARCHITECT.
14. PROVIDE DIELECTRIC UNIONS AT ALL DISSIMILAR METAL CONNECTIONS.
15. INSULATE ALL HOT AND COLD WATER PIPING. DOMESTIC COLD WATER PIPE INSULATION SHALL BE 1/2" THICK. INSULATION FOR DOMESTIC HOT WATER PIPE SMALLER THAN 1-1/2" IN DIAMETER SHALL BE 1" THICK. INSULATION FOR DOMESTIC HOT WATER PIPE 1-1/2" AND LARGER SHALL BE 1-1/2" THICK. INSULATION SHALL BE GLASS FIBER WITH FACTORY APPLIED UNIVERSAL JACKET, AND 4 POUNDS PER CUBIC FOOT DENSITY. FITTINGS SHALL BE INSULATED ACCORDING TO MANUFACTURER'S RECOMMENDATIONS. INSULATION VAPOR BARRIER SHALL BE LAPPED AND CEMENTED IN ACCORDANCE WITH MANUFACTURER'S RECOMMENDATIONS. INSULATE DOMESTIC WATER AND WASTE PIPING UNDER LAVATORIES AND SINKS USING TRUEBRO 'LAV GUARD' MOLDED VINYL PIPING COVERS OR APPROVED EQUIVALENT. COVER ALL PIPING, FITTING, VALVES, AND TRAPS EXPOSED TO VIEW.
16. ROUTE ALL PIPING AS HIGH AS POSSIBLE AND SO AS TO CAUSE MINIMAL INTERFERENCE FOR MAINTENANCE OF ALL EQUIPMENT. UNLESS OTHERWISE NOTED, ALL WATER SUPPLY PIPING IS ROUTED ABOVE THE CEILING AND BELOW ATTIC/ROOF INSULATION.
17. PIPE HANGERS AND SUPPORTS SHALL BE MSS SP-58 AND MSS SP-69, TYPE 1 OR 6, OF THE ADJUSTABLE TYPE. EXCEPT AS INDICATED OTHERWISE. ATTACHMENTS TO STEEL W OR S BEAMS SHALL BE WITH TYPE 21, 28, 29, OR 30 CLAMPS. ATTACHMENTS TO STEEL ANGLES AND CHANNELS (WITH WEB VERTICAL) SHALL BE WITH TYPE 20 CLAMP WITH A BEAM CLAMP CHANNEL ADAPTER. ATTACHMENTS TO STEEL CHANNEL (WITH WEB HORIZONTAL) SHALL BE WITH DRILLED HOLE ON CENTERLINE AND DOUBLE NUT AND WASHER. ATTACHMENTS TO CONCRETE SHALL BE WITH TYPE 18 INSERT OR A DRILLED HOLE WITH EXPANSION ANCHOR. ATTACHMENTS TO WOOD SHALL BE AS INDICATED. HANGER RODS AND ATTACHMENTS SHALL BE FULL SIZE OF THE HANGER-THREADED DIAMETER. PROVIDE TYPE 40 INSULATION PROTECTION SHIELDS FOR INSULATED PIPING. PROVIDE STEEL SUPPORT RODS. PROVIDE NONMETALLIC, HAIR FELT, OR PLASTIC PIPING ISOLATORS BETWEEN COPPER TUBING AND THE HANGERS.
18. PROVIDE SHUTOFF VALVE TO EACH SILLCOCK WITH VALVE IDENTIFICATION AS REQUIRED BY CODE.
19. ALL P-TRAPS SHALL BE 17-GAGE CAST BRASS.
20. CONTRACTOR TO VERIFY ALL LOCATIONS OF ROOF PENETRATIONS WITH ARCHITECTURAL DRAWINGS.
21. FIRE-STOP ALL PIPE PENETRATIONS OF FIRE AND SMOKE RATED ENCLOSURES. SEE ARCHITECTURAL DWGS. AND COORDINATE WITH ARCHITECT AND GENERAL CONTRACTOR IN THE FIELD.
22. FLOOR DRAINS RECEIVING INDIRECT DRAINAGE SHALL BE PROVIDED WITH RECESSED STRAINERS.
23. PROVIDE ANTI-SIPHON DEVICE ON ALL HOSE END CONNECTION FAUCETS AND HOSE BIBBS.
24. ALL WORK SHALL BE IN ACCORDANCE WITH THE LATEST ADOPTED STATE/LOCAL PLUMBING CODES.
25. BEFORE FINAL ACCEPTANCE OF THE WORK, TEST EACH SYSTEM AS IN SERVICE TO DEMONSTRATE COMPLIANCE WITH LATEST EDITION OF THE INTERNATIONAL PLUMBING CODE AND LOCAL REQUIREMENTS. ONCE TEST ARE IN COMPLIANCE WITH CONTRACT REQUIREMENTS DISINFECT WATER SYSTEM IN ACCORDANCE WITH AWWA C651.
26. ALL DRAIN PIPING FROM INDIVIDUAL EQUIPMENT ROUTED TO THE HUB/FLOOR DRAIN/SINK SHALL BE HARD PIPED COPPER UNLESS OTHERWISE NOTED.



SOIL, WASTE, AND VENT RISER DIAGRAM
NOT TO SCALE



Design - Build Contractor

230 West 5th Street
Panama City, FL 32401
(850) 215-5540

**LYNN HAVEN
METHODIST CHURCH**
3203 MINNESOTA AVENUE
LYNN HAVEN, FL 32444

REVISION		
#	DESCRIPTION	DATE

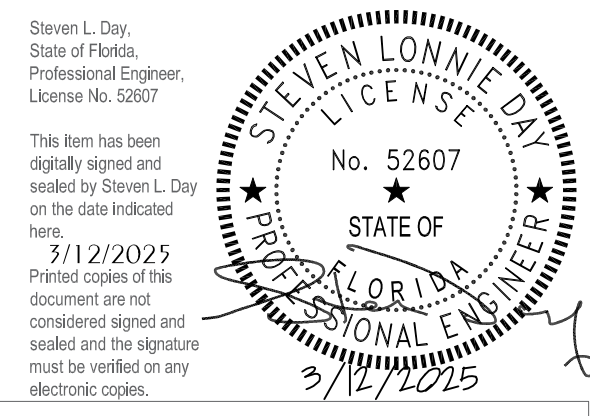
Designed By:
S.DAY

Drawn BY:
S.DAY

**PLUMBING
NOTES AND
RISER**

P3-0

03/10/2025 10:00:00 AM



Steven L. Day,
State of Florida,
Professional Engineer,
License No. 52607

This item has been
digitally signed and
sealed by Steven L. Day
on the date indicated
here.
3/12/2025
Printed copies of this
document are not
considered signed and
sealed and the signature
must be verified on any
electronic copies.

Florida CA Number: 27925
Steven L. Day, PE
Florida License Number: 52607
850.526.3447
Project Number: 2024-085
Checked By: SLD



No Part Of These Documents May Be Reproduced, Stored In a Retrieval System, OR Transmitted In Any Form Or By Any Means, Electronic, Mechanical, Photocopying, Recording, Or Otherwise, Without The Prior Written Permission Of: ReliantSouth Construction Group.